

PADS

CONSTRUCTION NOTES

Please see the JEA Rules and Regulations for clear working area clearances.

Front side of pad (side with splay openings) must have a minimum of 15-feet clear working area as designated by JEA for maintenance of equipment. All other sides shall have 36-inch minimum clearance.

Back of pad must be 36-inch minimum distance from building line, including any roof overhang.

Conduits shall not protrude above top of transformer pad. Splay openings shall remain open for future conduits.

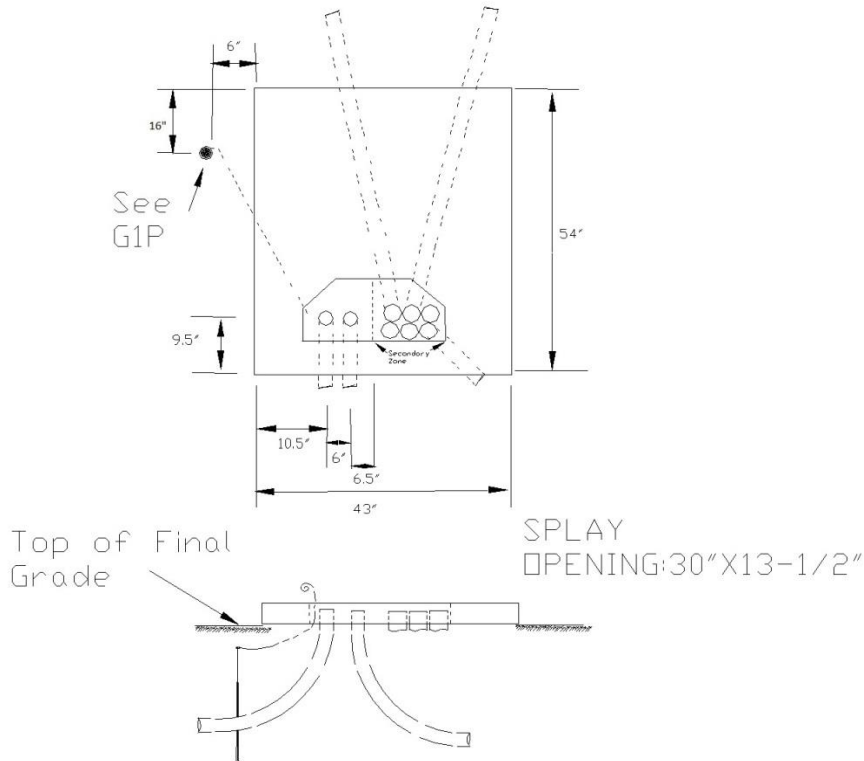
Compaction – Backfill placed under a transformer pad or mounting pit shall be compacted in 12" lifts to achieve 95% compaction. The area of uniform compaction shall be that under the pad or pit and extend 6" beyond all outside edges of the pad or pit.

Install minimum of three (3) ground rods at one location as shown. (25 ohms or less)

Install ells as required on an individual basis (see direct buried conduit section).

Additional Plates		
Listed plates are not otherwise covered by a construction plate and drawing.		
PLATE	DESCRIPTION	UNIT
PADADJ	Raise or lower equipment and pad as required	EA
PITADJ	Raise or lower equipment and pit as required	EA
I.PADCO006	Pre-cast 6' x 6' 3 Phase Transformer Pad	EA
I.PITME005	Pre-cast Primary Metering Pit	EA

UPD1 * _ - _ TRANSFORMER PAD SET-UP



ITEM	QTY	DESCRIPTION
CODCO003	2	COUPLING, CONDUIT 2 INCH PVC
CODCO__	-	GENERAL CODE FOR PVC COUPLING
CODEP002	2	ELBOW, PVC 2 INCH 90 DEGREE TYPE ELBOW
CODEP__	-	GENERAL CODE FOR 90 DEGREE ELBOW
PADCO001	1	PAD, CONCRETE TRANSFORMER, DMD-56

SECONDARY CONDUIT	AVAILABLE OPTIONS: Conduit locations to be detailed by the Engineer.
Conduit Size	Maximum Number Of Conduits
2"	12
3"	8
4"	6
6"	2

PLATE EXAMPLE:

UPD1*3-8 (Pad with 8 - 3" secondary conduit elbows.)

NOTE:

- No couplings allowed within the transformer splay opening.
- Conduit destination addresses shall be marked on all conduits.

UPD2 (POURED BY CONTRACTOR PAD) UPD2P (PRE-CAST PAD) TYPICAL PAD FOR 75-500KVA THREE PHASE PADMOUNT TRANSFORMER

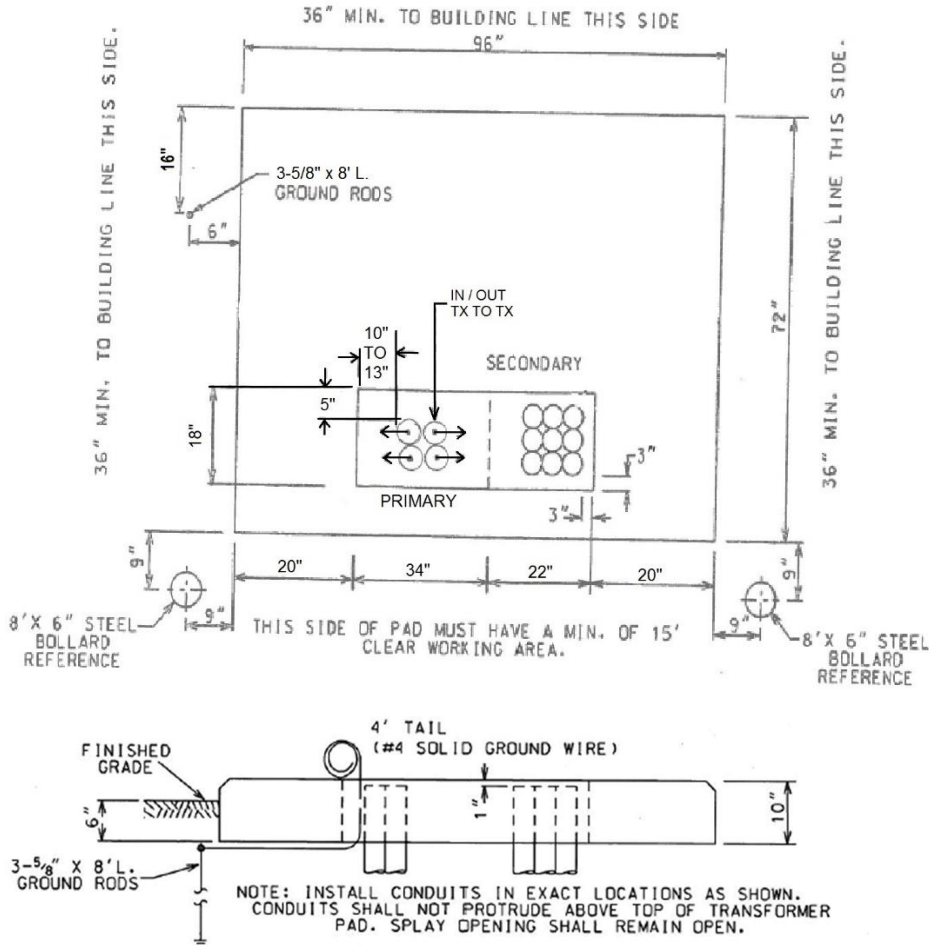
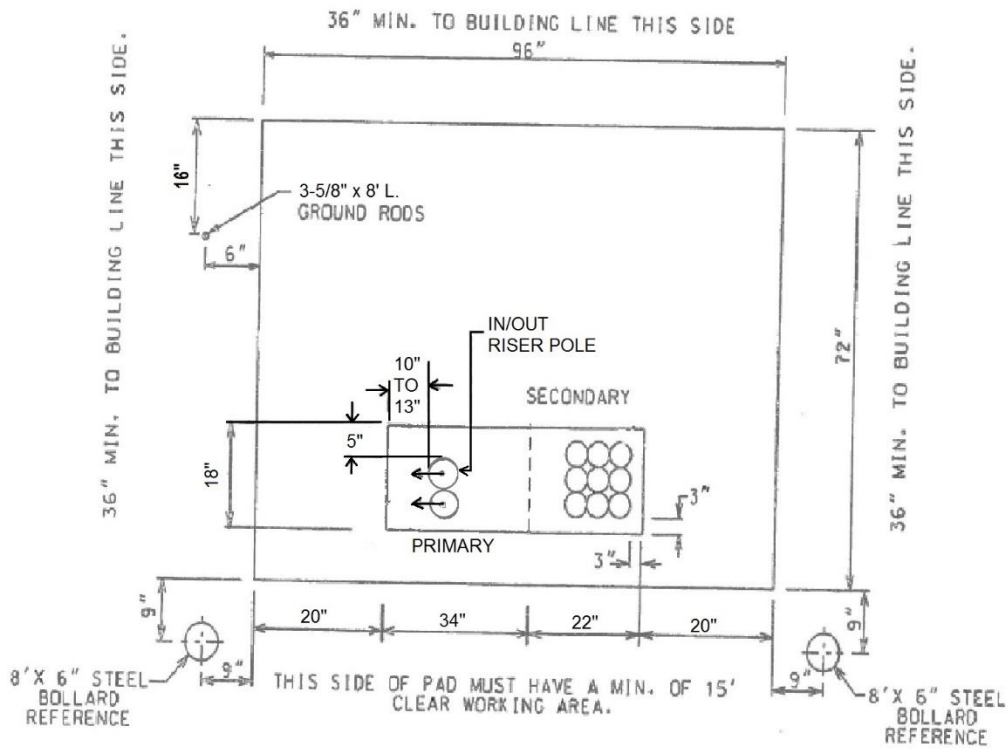
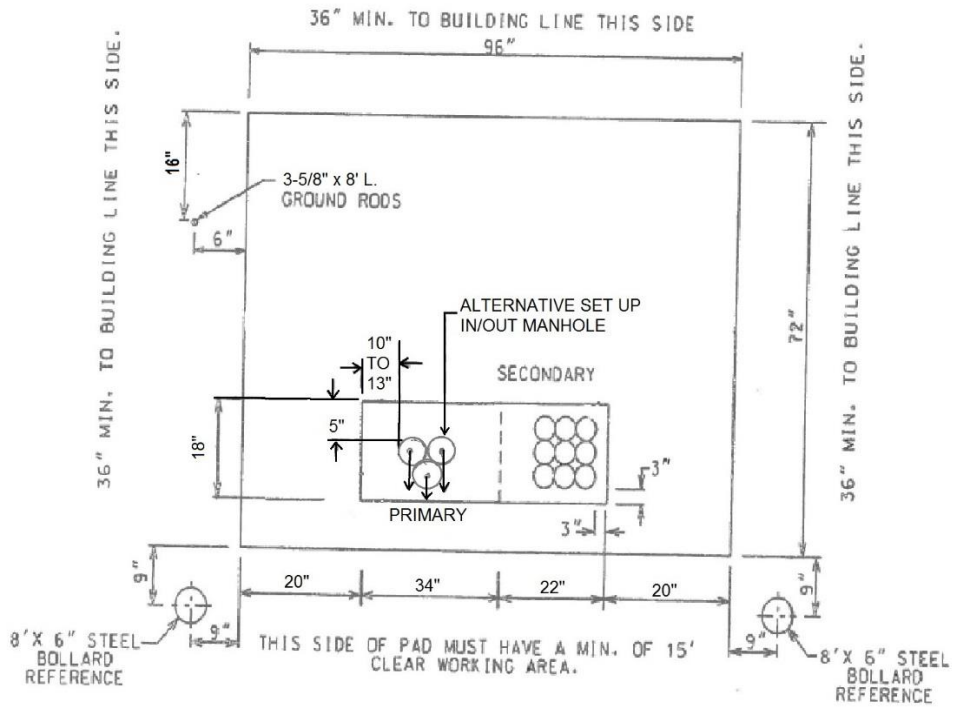


PLATE EXAMPLES	ITEM	QTY	DESCRIPTION
UPD2	XXXZZ011	1.5 YDS	CONCRETE, 3000 PSI
	XXXZZ009	96 FT	REINFORCING STEEL ROD, # 5
UPD2P	PADCO007	1	PAD, CONCRETE TRANSFORMER 72 x 96 x 10, DMD-78

NOTES:

- Bumpers and Grounding material are not included with this plate. Please see the UPDB & G1P plates.
- See JEA Rules & Regulations for maximum number of conduits installed in a splay opening.
- See project drawing for required conduits.
- See JEA Rules & Regulations for clear working area.
- Call project engineer for inspection 24 hours before pouring a pad.



ALTERNATIVE UPD2 SETUPS

UPD3 (POURED BY CONTRACTOR PAD)

UPD3P (PRE-CAST PAD)

TYPICAL PAD FOR 750-3750KVA THREE PHASE PADMOUNT TRANSFORMERS

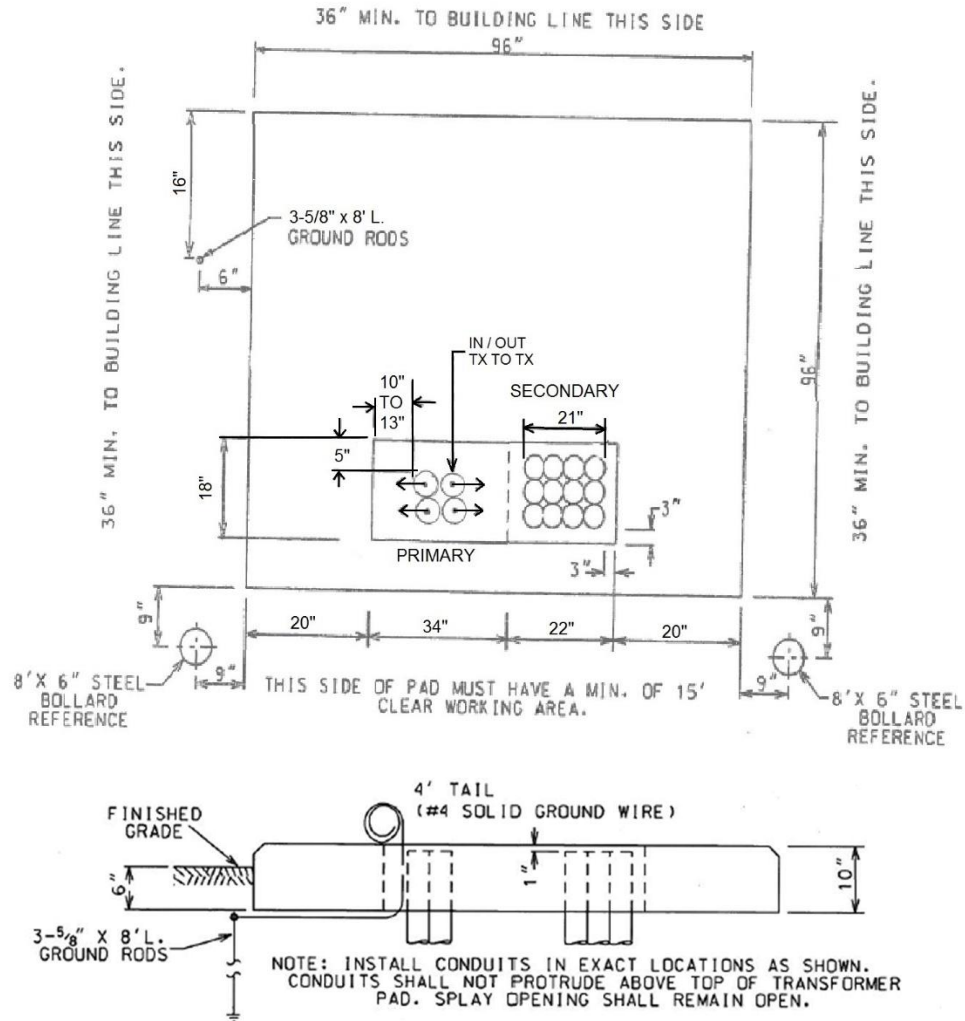
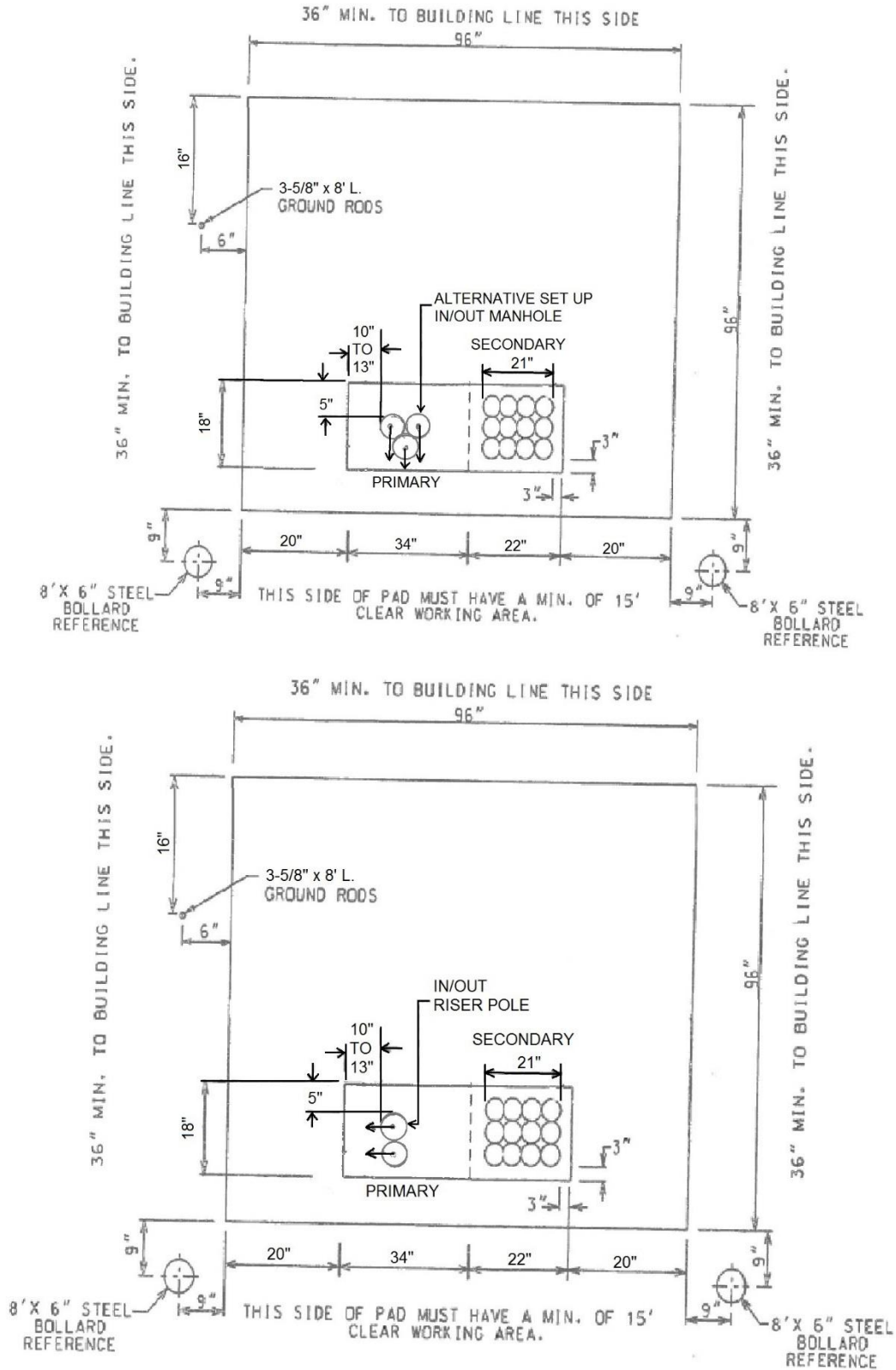


PLATE EXAMPLES	ITEM	QTY	DESCRIPTION
UPD3	XXXZZ011	1.5 YDS	CONCRETE, 3000 PSI
	XXXZZ009	96 FT	REINFORCING STEEL ROD, # 5
UPD3P	PADCO008	1	PAD, CONCRETE TRANSFORMER 96 x 96 x 10

NOTES:

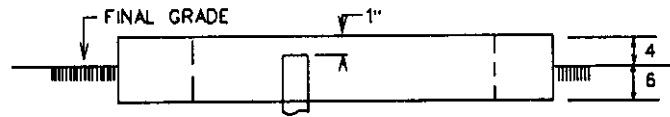
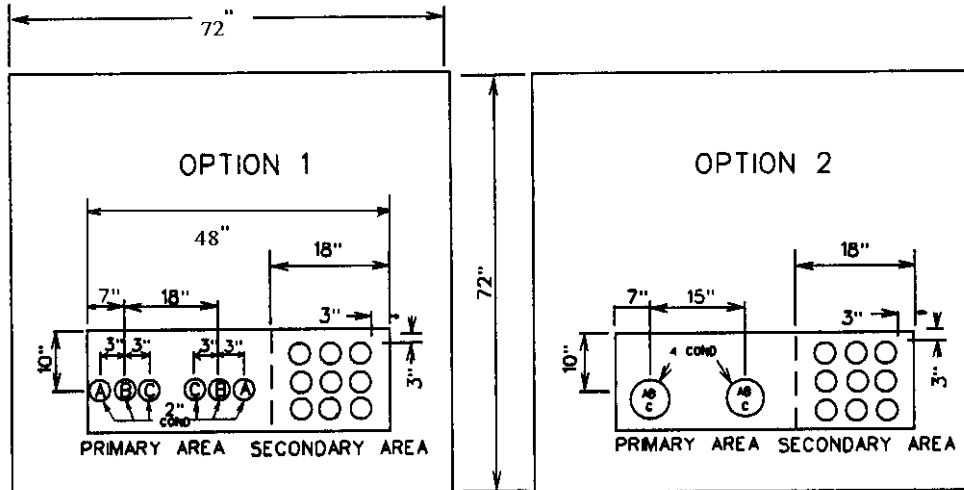
1. Bumpers and Grounding material are not included with this plate. Please see the UPDB & G1P plates.
2. See JEA Rules & Regulations for maximum number of conduits installed in a splay opening.
3. See project drawing for required conduits.
4. See JEA Rules & Regulations for clear working area.
5. Call project engineer for inspection 24 hours before pouring a pad.



ALTERNATIVE UPD2 SETUPS

UPD4

MAINTENANCE TRANSFORMER PAD FOR 75KVA



THREE PHASE TRANSFORMER PAD

NOTE: CONDUITS SHALL NOT PROTRUDE ABOVE TOP OF TRANSFORMER PAD SPLAY OPENING SHALL REMAIN OPEN FOR FUTURE CONDUITS TAP SPOIL BEFORE POURING/SETTING PAD

•INSTALL CONDUITS IN EXACT LOCATIONS SHOWN

ITEM	QTY	DESCRIPTION
PADCO006	1	PAD, CONCRETE TRANSFORMER, 72" x 72" x 10", DMD-87

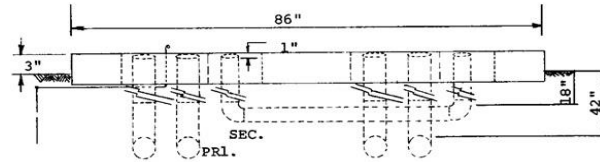
NOTES:

1. Bumpers and Grounding material are not included with this plate. Please see the UPDB & G1P plates.
2. See JEA Rules & Regulations for maximum number of conduits installed in a splay opening.
3. See project drawing for required conduits.
4. See JEA Rules & Regulations for clear working area.

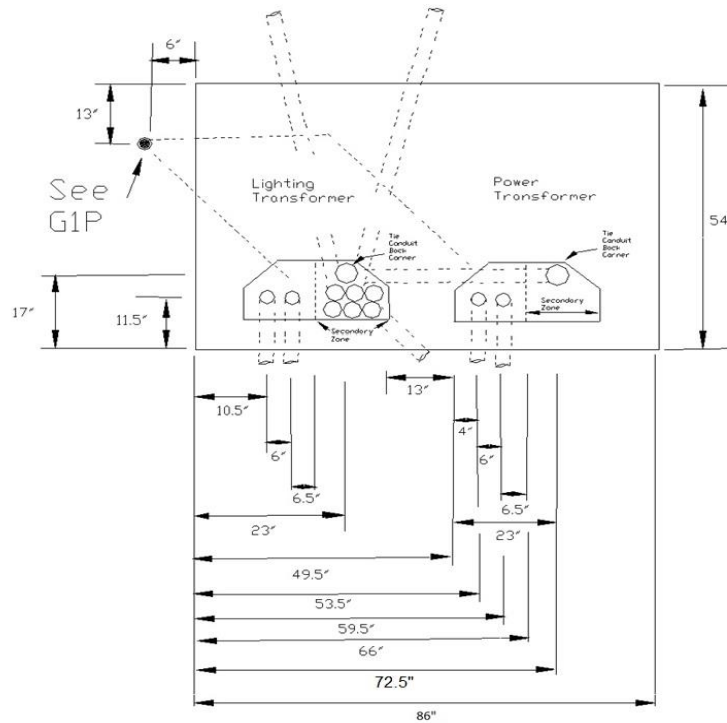
UPD5

SPECIAL OPEN DELTA PAD

240 / 120 VOLT – THREE PHASE 4 WIRE DELTA



Secondary Service



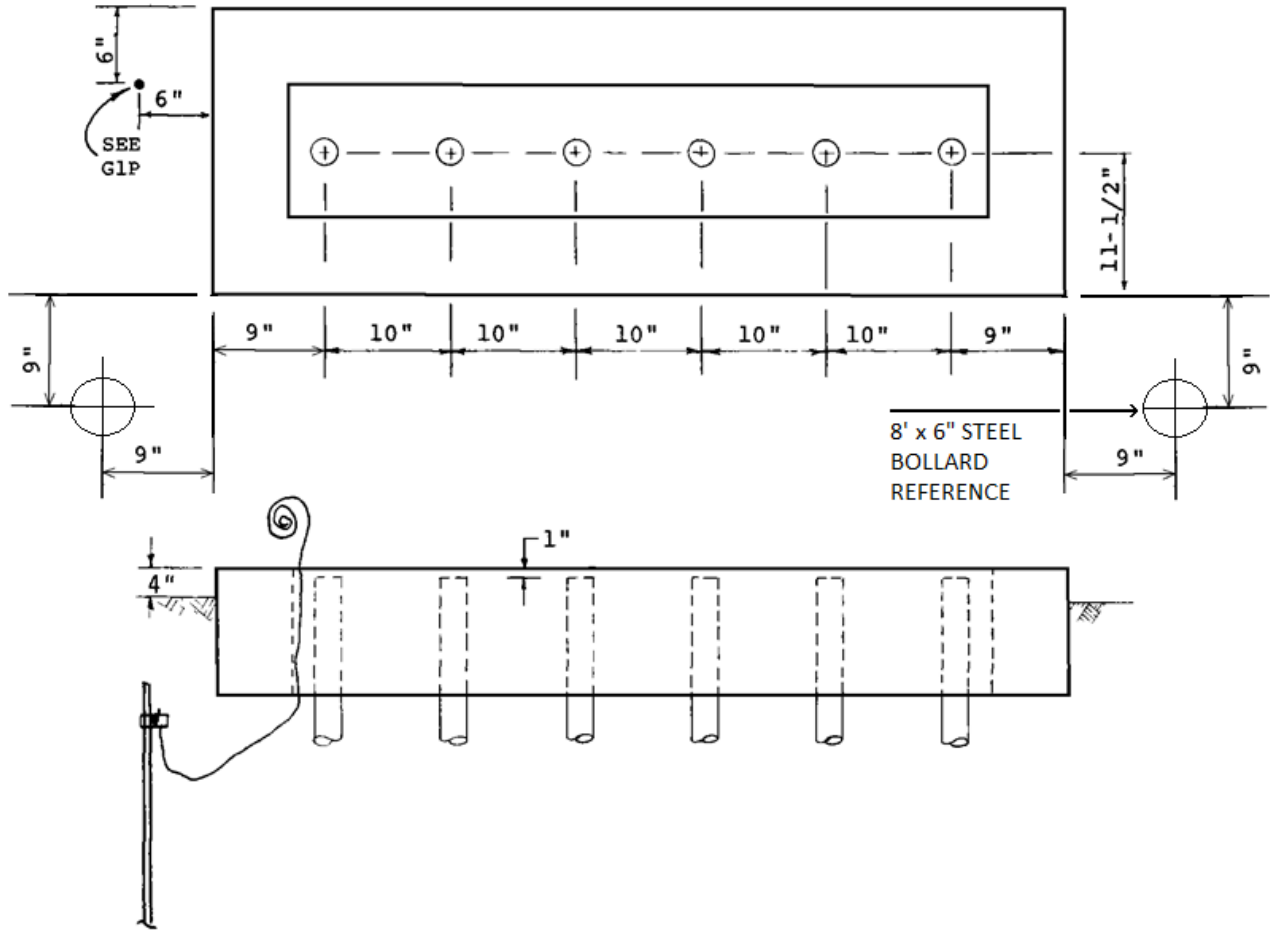
ITEM	QTY	DESCRIPTION
PADCO003	1	PAD, CONCRETE, DMD-73
CODEP026	2	ELBOW, PVC, 3" SCH 40, 13" RADIUS

NOTES:

1. Bumpers and Grounding material are not included with this plate. Please see the UPDB & G1P plates.
2. See JEA Rules & Regulations for maximum number of conduits installed in a splay opening.
3. See project drawing for required conduits.
4. See JEA Rules & Regulations for clear working area.

UPD10

THREE PHASE LIGHTNING ARRESTER PAD



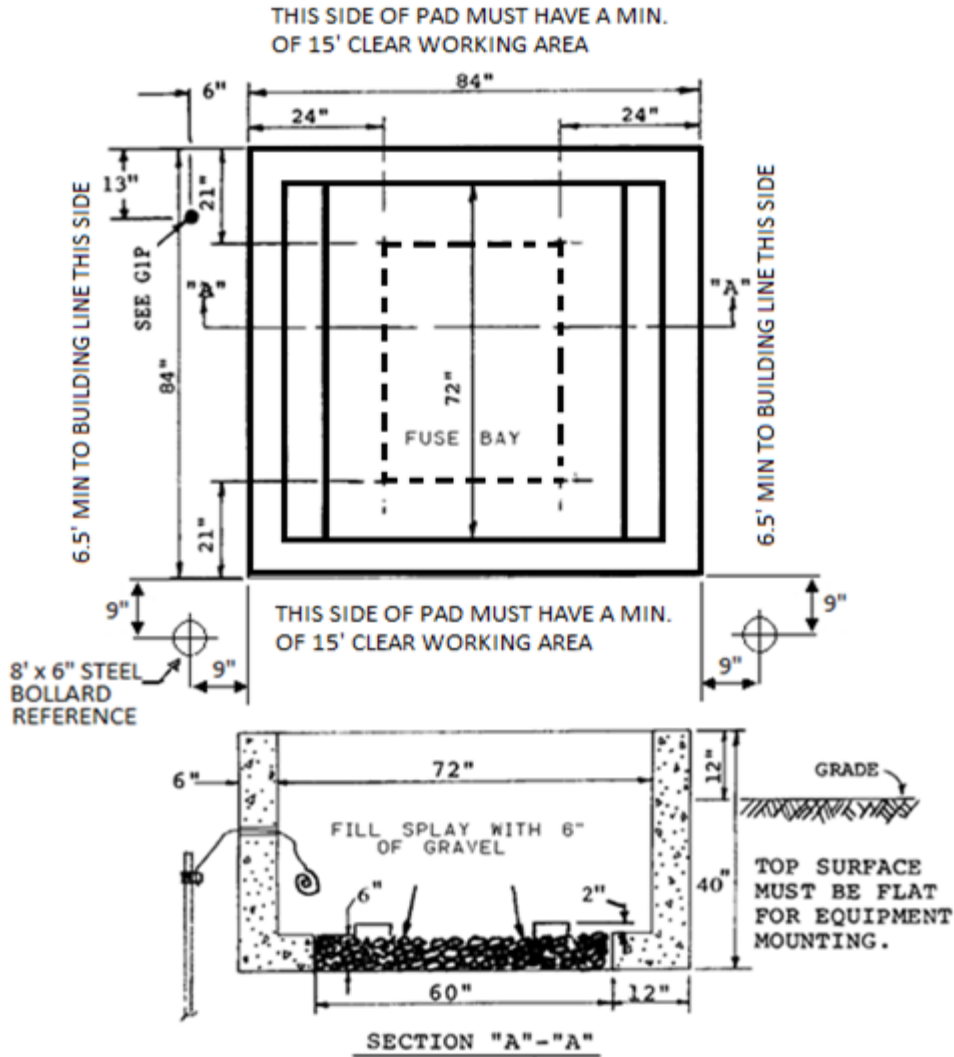
ITEM	QTY	DESCRIPTION
PADCO004	1	PAD, CONCRETE, DMD-74

NOTE:

1. Bumpers and Grounding material are not included with this plate. Please see the UPDB & G1P plates.
2. This Pad for use with Three Phase Junction Enclosure – ENCOD004.

UPD11

THREE PHASE SWITCH-GEAR EQUIPMENT MOUNTING PIT



Used With SWEPA001, 002, 003, 004, 008, 009
 Splay Opening: 60" x 72"

ITEM	QTY	DESCRIPTION
PITME001	1	PIT, CONCRETE, DMD-76

NOTES:

1. Bumpers and Grounding material are not included with this plate. Please see the UPDB & G1P plates.
2. Install ells as required on an individual basis. (See Direct Buried Conduit section).
3. Conduit ends to extend 2" above base course/gravel.
4. Conduit locations to be detailed by the Engineer.

UPD13

PRIMARY METERING PIT DETAIL

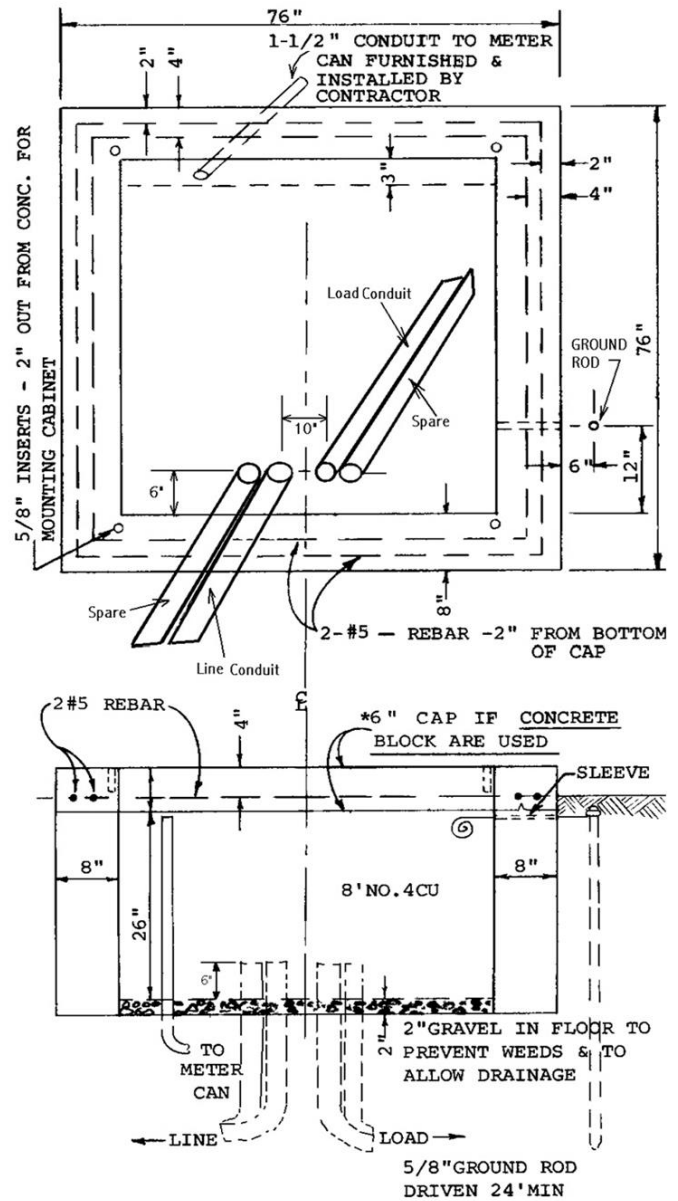
NOTE:

Plating UPD13 will issue a pre-cast pit (I.PITME005).

NOTES:

1. Meter can to be furnished by JEA & installed by contractor. Supporting structure for meter can to be furnished & installed by contractor. Approval of structure for & location of meter can must be given by JEA prior to installation. Contact Meter Department.
2. Grounding to be furnished and installed by contractor.
3. 8' x 6" steel post may be required for protection from vehicles depending on jobsite & will be specified by JEA.
4. Line conduit & spare to be 4" schedule 40 PVC. With PVC furnished & installed by contractor to designated JEA poles unless otherwise specified by JEA.
5. 20' x 20' easement is required from owner to allow JEA maintenance crew access to metering. Location to be determined by JEA.

Walls may be built of concrete block, poured inside with concrete, or formed & poured with concrete. If concrete block construction is used, a 6" cap the width of the block with 2 - # 5 rebar must be poured on top. See DMD-75.

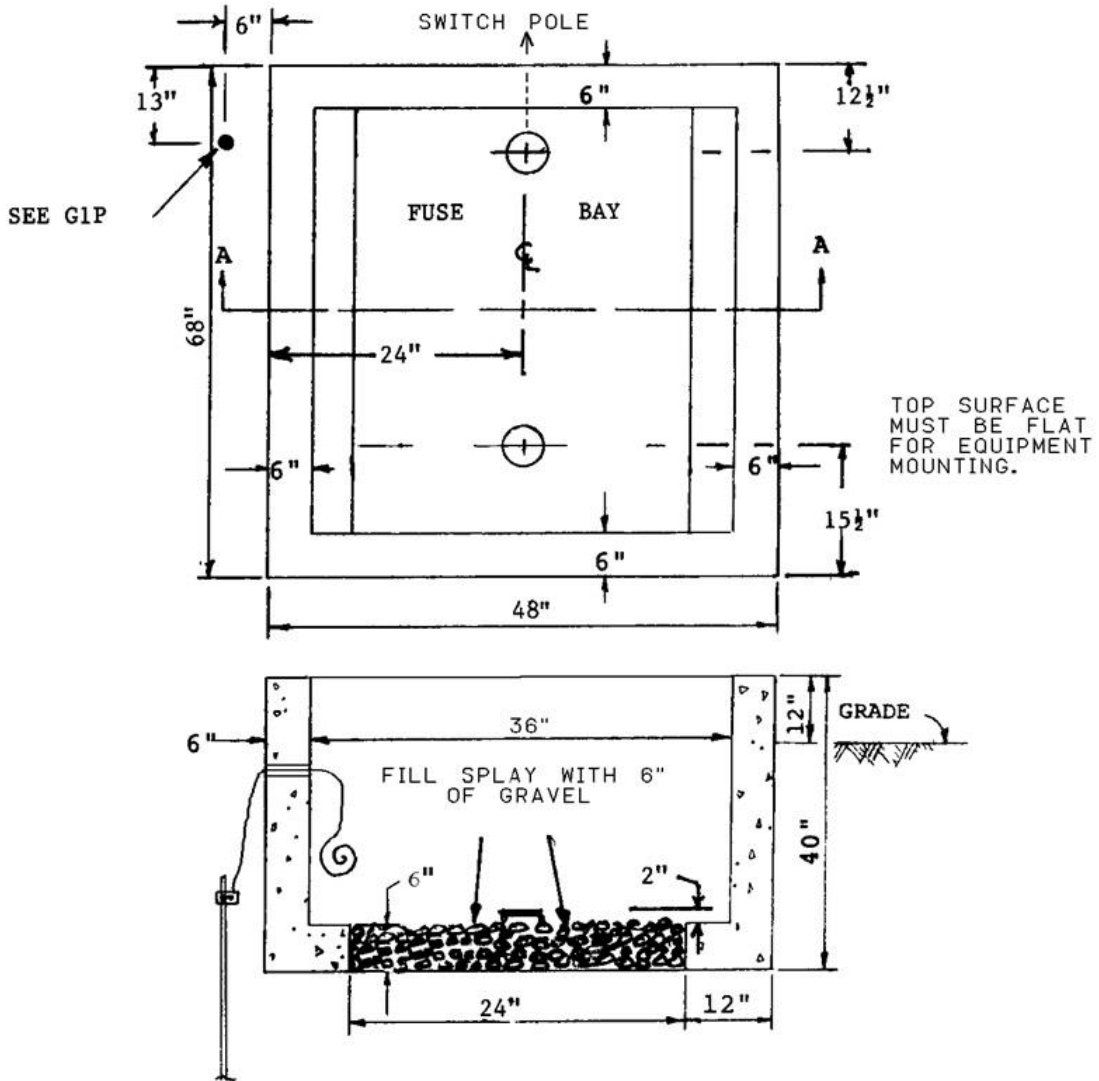


Build in place Concrete Block Pit Shown

Note: See DMD-75A drawing for the dimensions of a pre-cast pit. Dimensions as follows:
 Outside – 72" x 72" x 40" Inside – 60" x 60"x40"

UPD15

THREE PHASE EQUIPMENT MOUNTING PIT (ELECTRONIC FUSE)



This Pit Is Used With the SWEPA005 Item.
 Splay Opening: 24" x 56"

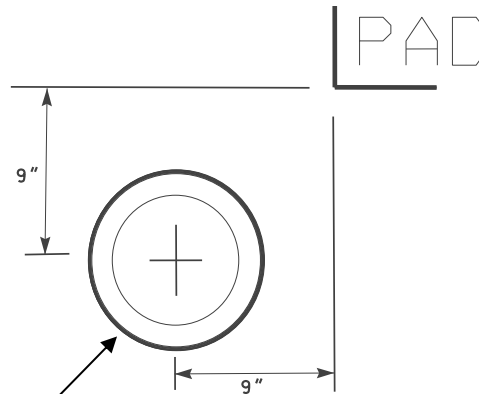
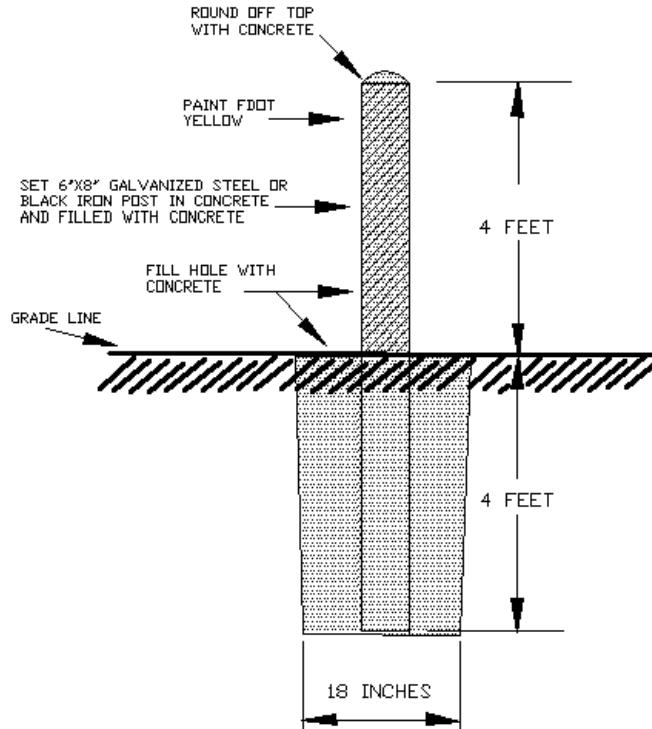
ITEM	QTY	DESCRIPTION
PITME004	1	PIT, CONCRETE, DMD-86

NOTES:

1. Install ells as required on an individual basis (See Direct Buried Conduit Section)
2. Conduit ends to extend 2" above base course / gravel.
3. Conduit locations to be detailed by the Engineer.

UPDB EQUIPMENT BUMPER

8 foot (6 inch diameter) Steel Bumper – Concrete Filled



8' x 6" Steel Bumper – Concrete Filled

- Placed Around Equipment Adjacent to Roadways
- Appropriately Colored Bollard Sleeves are allowed to be used instead of paint.

ITEM	QTY	DESCRIPTION
CODST010	8	GALVANIZED STEEL CONDUIT, 8 FEET X 6 INCHES
XXXZZ011	1 YD	3000 PSI CONCRETE
PACEN012	3	CANS OF DOT YELLOW PAINT