

## TERMINATIONS

### CONSTRUCTION NOTES

Plates UVT1, UVT2, UVT3, UVT4 strap cable every 3' starting at ground level.

For fuse size lettering see FN in Identification Section. (Overhead Distribution Standards Manual)

Use TAPCON MAXI set screws on wood/concrete poles to fasten cable guard and conduit strap.

(I.ANCST003 C and I.ANCST04 W)

Top bolt of terminator bracket to be mounted 38 inches from bottom bolt of fuse cutout/arrestor bracket.

Bond mounting bracket and cable concentric to pole ground. See Overhead Grounding Section.

For Overhead Portion, see Riser Pole Section.

For Detailing Engineer:

OPTIONS	OPTIONS	OPTIONS
UVT1C*2	UVT3C*1/0T	UVT5 (1000 only)
UVT1W*2	UVT3 W*1/0T	UVT6*2
UVT1C*1/0	UVT3C*350	UVT6*1/0P
UVT1W*1/0	UVT3W*350	UVT6*1/0R
UVT2C*2	UVT4C*350	UVT6*350P
UVT2W*2	UVT4W*350	UVT6*350R
UVT2C*1/0	UVT4C*400	UVT6*1000P
UVT2W*1/0	UVT4W*400	UVT6*1000R
UVT3C*2	UVT4C*750	UVT7*2L (Loadbreak)
UVT3W*2	UVT4W*750	UVT7*1/0L (Loadbreak)
UVT3C*1/0	UVT4C*1000	UVT10C*1000
UVT3W*1/0	UVT4W*1000	UVT10W*1000

Options for Plate UVT8/UWT8 are as follows:

CABLE SIZE	OPTIONS PLUG 1	OPTIONS PLUG 2
350KCM, 28kV	CP, DF	CP, DM, AB
750KCM, 15kV	CP, DF	CP, DM, AB
1000KCM, 28KV	CP, DF	CP, DM, AB

Options for Plate UWPH\* for Poly Cable:

**OPTIONS:**

- UWPH\*400PP [PP-POLY (cable), PORCELAIN (termination)]
- UWPH\*750PP [PR-POLY (cable), RUBBER (termination)]
- UWPH\*400PR
- UWPH\*750PR

**NOTE:**

Rubber stress cones to be used in enclosure(s) and on appropriate overhead brackets where specified.

Options for UWPH\*LEAD CABLE terminations:

SINGLE CONDUCTOR	THREE CONDUCTOR
UWPH*400	UWPH*400-3
UWPH*750	UWPH*750-3

For Fault Indicator Installation, see Plate UVF5 (System Protection Section) for application guidelines.

Riser Plug Kits (CODKT001) are included in plates UVT1, UVT2, UVT3, and UVT4.

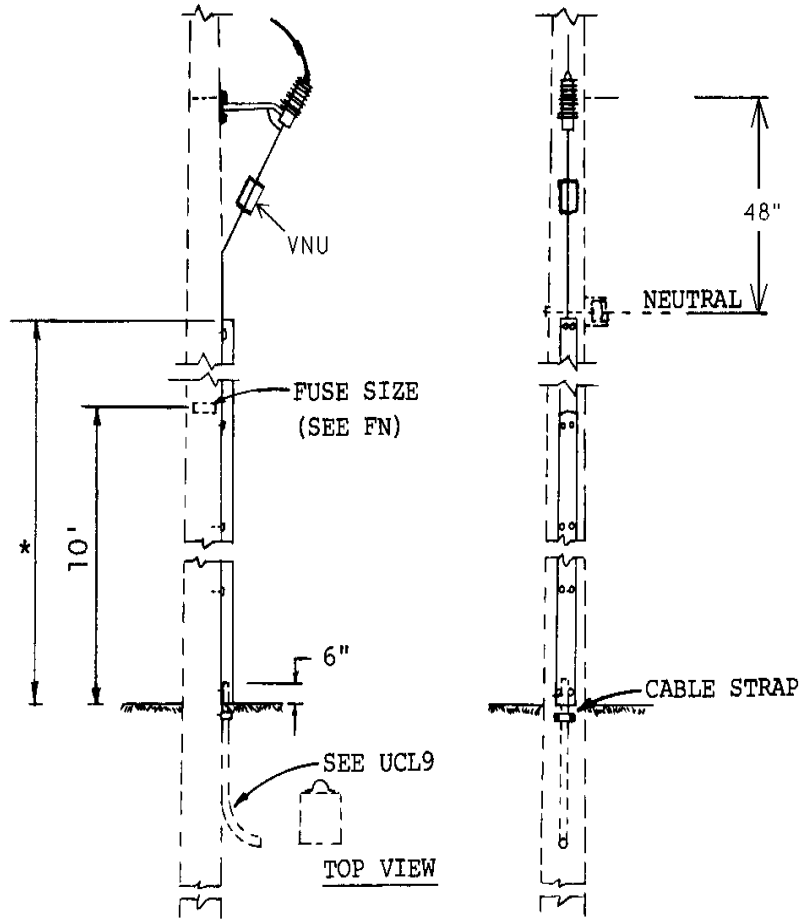
To extend the cable guard 40" above the point at which BellSouth connects on existing riser poles, call for the following Additional Plates:

ADDITIONAL PLATES	
PLATE	DESCRIPTION
GUARDC * 2	20' of 2" cable guard with anchors for concrete poles.
GUARDC * 5	20' of 5" cable guard with anchors for concrete poles.
GUARDW * 2	20' of 2" cable guard with staples for wood poles.
GUARDW * 5	20' of 5" cable guard with staples for wood poles.

**UVT1C\*** \_ (Concrete Option)

**UVT1W\*** \_ (Wood Option)

**RISER POLE, ONE CABLE**



See Construction Notes for options.  
 \*See Construction Note 13.

## UVT1 BASIC

ITEM	QTY	DESCRIPTION
BKTEM001	1	BRACKET, CUTOUT/ ARRESTER SINGLE
BKTEM002	1	BRACKET, MOUNTING FOR TERMINATOR
BOLMS020	1	BOLT, MACHINE SQ. HEAD 5/8 X 14 INCH
CAIRH010	3	CABLE, NO. 4 COVERED S.D. COPPER, FT
CNNT001	1	CONNECTOR, CU. COMP. SIDE-BY 2-1/0 2-1/0 STR.
CNNVG004	2	CONNECTOR, 2 SOL-2/0 / TAP 2SOL-2/0 VISE GRIP PARALLEL, BRONZE
CODKT001	1	KIT, RISER PLUG
GUACA001	3	GUARD, PLASTIC CABLE 2 INCH X 10 FT SCH. 40 PVC.
NUTPG300	30	NUT, 1/4"-20, HEX, PLATED GD 8
NUTSL003	1	LOCKNUT, SQ. M-F 5/8 INCH
STPST001	10	STRAP, CONDUIT 1 HOLE 1 INCH
WASRD002	30	WASHER, ROUND 1 DIA. FOR 3/8 INCH BOLT
WASSF003	1	WASHER, SQ. FLAT 2-1/4 SQ. X 3/16 INCH FOR 5/8 INCH BOLT

## UVT1C\*1/0

ITEM	QTY	DESCRIPTION
ANCST003	1	TAPCON MAXI SET SCREW ANCHOR, 1/4" X 1 3/4" (Concrete)
CAICL001	40	CABLE, 1/0, 28 KV, SINGLE CONDUCTOR, AL.
TRMCA015	1	TERMINATOR, CABLE, 35-KV, 1/0-AWG

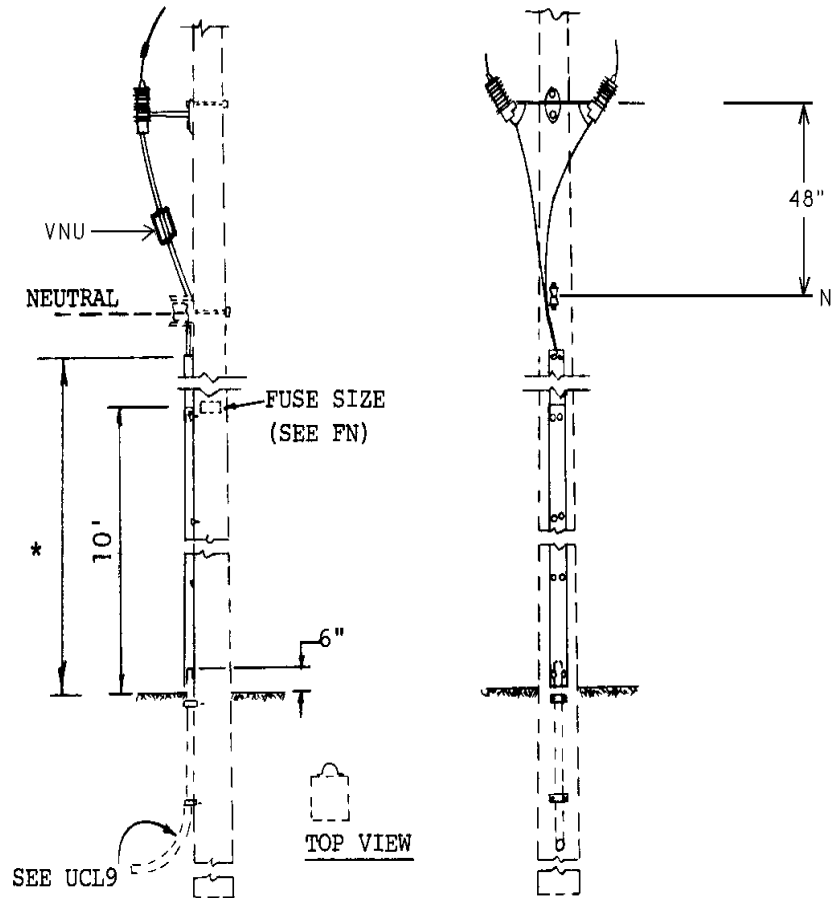
## UVT1W\*1/0

ITEM	QTY	DESCRIPTION
ANCST004	1	TAPCON MAXI SET SCREW ANCHORS, 1/4" X 2 1/4" (Wood)
CAICL001	40	CABLE, 1/0, 28 KV, SINGLE CONDUCTOR, AL.
TRMCA015	1	TERMINATOR, CABLE, 35-KV, 1/0-AWG

**UVT2C\*** \_ (Concrete Option)

**UVT2W\*** \_ (Wood Option)

**RISER POLE, TWO CABLES**



See Construction Notes for options.

\*See Construction Note 13.

## UVT2 BASIC

ITEM	QTY	DESCRIPTION
BOLMS020	1	BOLT, MACHINE SQ. HEAD 5/8 X 14 INCH
BKTEM001	1	BRACKET, CUTOUT/ ARRESTER SINGLE
BKTEM003	1	BRACKET, TERMINATOR/ POTHEAD MOUNTING TRIPLE
CAIRH010	6	CABLE, NO. 4 COVERED S.D. COPPER, FT
CNNT001	2	CONNECTOR, CU. COMP. SIDE-BY 2-1/0 2-1/0 STR.
CNNVG004	2	CONNECTOR, 2 SOL-2/0 / TAP 2SOL-2/0 VISE GRIP PARALLEL, BRONZE
CODKT001	1	KIT, RISER PLUG
GUACA002	3	GUARD, PLASTIC CABLE 5-INCH X 10 FT SCH. 40 PVC.
NUTPG300	30	NUT, 1/4"-20, HEX, PLATED GD 8
NUTSL003	1	LOCKNUT, SQ. M-F 5/8 INCH
STPST001	20	STRAP, CONDUIT 1 HOLE 1 INCH
WASRD002	30	WASHER, ROUND 1 DIA. FOR 3/8 INCH BOLT
WASSF002	1	WASHER, SQUARE FLAT, 2 1/4" SQ X 3/16", 5/8" BOLT SIZE, GALVANIZED

## UVT2C\*1/0

ITEM	QTY	DESCRIPTION
ANCST003	1	TAPCON MAXI SET SCREW ANCHOR, 1/4" X 1 3/4" (Concrete)
CAICL001	90	CABLE, 1/0, 28 KV, SINGLE CONDUCTOR, AL.
TRMCA015	2	TERMINATOR, CABLE, 35-KV, 1/0-AWG

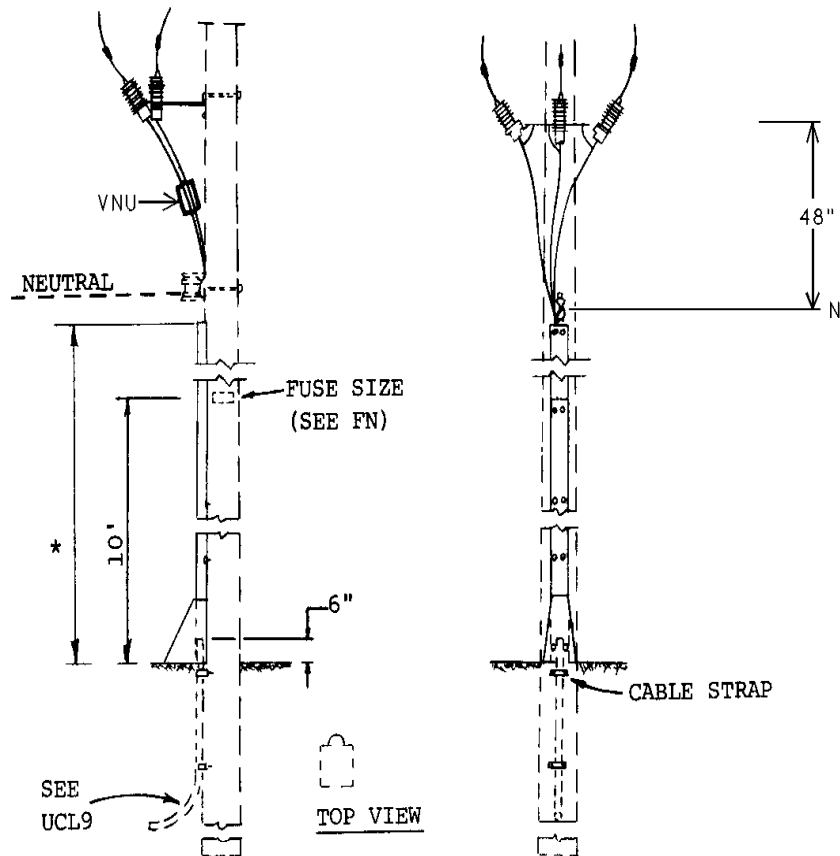
## UVT2W\*1/0

ITEM	QTY	DESCRIPTION
ANCST004	1	TAPCON MAXI SET SCREW ANCHORS, 1/4" X 2 1/4" (Wood)
CAICL001	90	CABLE, 1/0, 28 KV, SINGLE CONDUCTOR, AL.
TRMCA015	2	TERMINATOR, CABLE, 35-KV, 1/0-AWG

**UVT3C \* \_ (Concrete Option)**

**UVT3 W \* \_ (Wood Option)**

**RISER POLE, THREE CABLES**



See Construction Notes for options.

\*See Construction Note 13.

## UVT3 BASIC

ITEM	QTY	DESCRIPTION
BOLMS020	2	BOLT, MACHINE SQ. HEAD 5/8 X 14 INCH
BKTEM001	1	BRACKET, CUTOUT/ ARRESTER SINGLE
BKTEM003	1	BRACKET, TERMINATOR/ POTHEAD MOUNTING TRIPLE
CAIRH010	4	CABLE, NO. 4 COVERED S.D. COPPER, FT
CNNT001	2	CONNECTOR, CU. COMP. SIDE-BY 2-1/0 2-1/0 STR.
CNNVG006	2	CONNECTOR, 1/0-4/0 / 10 SOL-4/0, VISE- GRIP PARALLEL, BRONZE
COBCO028	9	CONDUCTOR, #4 SOLID, SOFT DRAWN, BARE COPPER
CODKT001	1	KIT, RISER PLUG
GUACA002	3	GUARD, PLASTIC CABLE 5-INCH X 10 FT SCH. 40 PVC.
NUTPG300	30	NUT, 1/4"-20, HEX, PLATED GD 8
NUTSL003	1	LOCKNUT, SQ. M-F 5/8 INCH
STPST005	10	STRAP, CONDUIT 1 HOLE 2 INCH
WASRD002	30	WASHER, ROUND 1 DIA. FOR 3/8 INCH BOLT
WASSF003	1	WASHER, SQ. FLAT 2-1/4 SQ. X 3/16 INCH FOR 5/8 INCH BOLT

## UVT3C\*1/0

ANCST003	1	TAPCON MAXI SET SCREW ANCHOR, 1/4" X 1 3/4" (Concrete)
CAICL001	135	CABLE, 1/0, 28 KV, SINGLE CONDUCTOR, AL.
TRMCA015	3	TERMINATOR, CABLE, 35-KV, 1/0-AWG

## UVT3W\*1/0

ANCST004	1	TAPCON MAXI SET SCREW ANCHORS, 1/4" X 2 1/4" (Wood)
CAICL001	135	CABLE, 1/0, 28 KV, SINGLE CONDUCTOR, AL.
TRMCA015	3	TERMINATOR, CABLE, 35-KV, 1/0-AWG

## UVT3C\*1/0T

ANCST003	1	TAPCON MAXI SET SCREW ANCHOR, 1/4" X 1 3/4" (Concrete)
CAICL002	45	CABLE, 1/0, 28 KV, THREE CONDUCTOR, AL
TRMCA015	3	TERMINATOR, CABLE, 35-KV, 1/0-AWG

## UVT3W\*1/0T

ANCST004	1	TAPCON MAXI SET SCREW ANCHORS, 1/4" X 2 1/4" (Wood)
CAICL002	45	CABLE, 1/0, 28 KV, THREE CONDUCTOR, AL
TRMCA015	3	TERMINATOR, CABLE, 35-KV, 1/0-AWG

## UVT3C\*350

ANCST003	1	TAPCON MAXI SET SCREW ANCHOR, 1/4" X 1 3/4" (Concrete)
CAICL005	135	CABLE, 350 KCM 28 KV, SINGLE CONDUCTOR, AL
TRMCA016	3	TERMINATOR, CABLE, 35-KV, 350-KCM

## UVT3W\*350

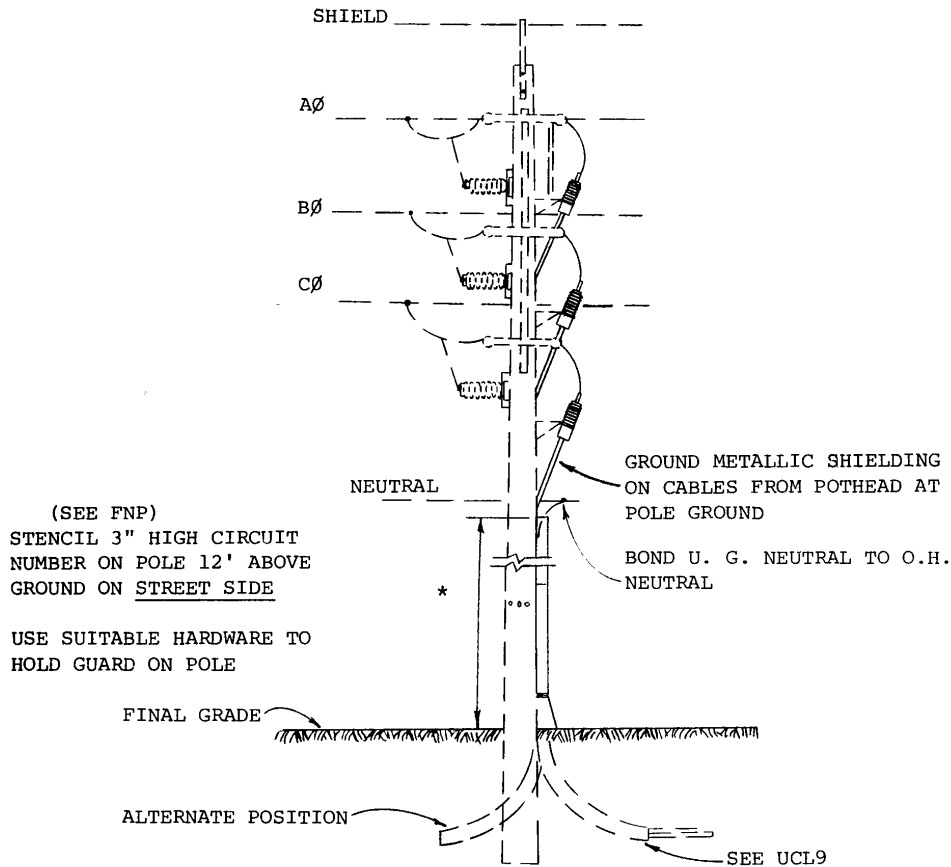
ANCST004	1	TAPCON MAXI SET SCREW ANCHORS, 1/4" X 2 1/4" (Wood)
CAICL005	135	CABLE, 350 KCM 28 KV, SINGLE CONDUCTOR, AL
TRMCA016	3	TERMINATOR, CABLE, 35-KV, 350-KCM



**UVT4C \* \_ (Concrete Option)**

**UVT4W \* \_ (Wood Option)**

**RISER POLE, THREE CABLES, FEEDER**



[\\*See Construction Note 13.](#)

ITEM	QTY	DESCRIPTION
BOLMS020	6	BOLT, MACHINE, 5/8" X 14", SQUARE HEAD GALVANIZED STEEL
CNNCP001	3	CONNECTOR, #1, 6-4 MAIN, 6-4 TAP, PARALLEL TAP, ALUMINUM
CNNVG004	7	CONNECTOR, VISE TYPE 2 SOL-1/0
COBCO039	30	CONDUCTOR, 500 KCM, 37 STRAND, HARD DRAWN, BARE COPPER
CODKT001	1	KIT, RISER PLUG
GUACA003	3	GUARD, PLASTIC CABLE 6-INCH X 10 FT SCH. 40 PVC.
NUTSL003	6	LOCKNUT, SQ. M-F 5/8 INCH
STPST005	4	STRAP, CONDUIT 2- HOLE 2 INCH
STPST008	5	STRAP, CONDUIT 2-HOLE 4 INCH
WASRD002	50	WASHER, ROUND 1 DIA. FOR 3/8 INCH BOLT
WASSF002	6	WASHER, SQ. FLAT 2-1/4 SQ. X 3/16 INCH FOR 5/8 BOLT

### UVT4C\*350 / UVT4W\*350

ANCST003	1	TAPCON MAXI SET SCREW ANCHOR, 1/4" X 1 3/4" (Concrete)
ANCST004	1	TAPCON MAXI SET SCREW ANCHORS, 1/4" X 2 1/4" (Wood)
BKTEM001	3	BRACKET, EQUIPMENT MOUNT, SINGLE
BKTEM002	3	BRACKET, EQUIPMENT MOUNT, ADAPTER PLATE
CAICL005	120	CABLE, 350 KCM 28 KV, SINGLE CONDUCTOR, AL., POLY
TRMCA016	3	TERMINATOR, CABLE, 35-KV, 350-KCM

### UVT4C\*400 / UVT4W\*400

ANCST003	1	TAPCON MAXI SET SCREW ANCHOR, 1/4" X 1 3/4" (Concrete)
ANCST004	1	TAPCON MAXI SET SCREW ANCHORS, 1/4" X 2 1/4" (Wood)
BKTEM001	3	BRACKET, EQUIPMENT MOUNT, SINGLE
BKTEM002	3	BRACKET, EQUIPMENT MOUNT, ADAPTER PLATE

### UVT4C\*750 / UVT4W\*750

ANCST003	1	TAPCON MAXI SET SCREW ANCHOR, 1/4" X 1 3/4" (Concrete)
ANCST004	1	TAPCON MAXI SET SCREW ANCHORS, 1/4" X 2 1/4" (Wood)
BKTEM001	3	BRACKET, EQUIPMENT MOUNT, SINGLE
BKTEM002	3	BRACKET, EQUIPMENT MOUNT, ADAPTER PLATE
CAICL012	120	CABLE, 350 KCM 28 KV, SINGLE CONDUCTOR, AL
CAIRH005	40	CABLE, 4/0, 19 STRAND, COPPER
TRMCA003	3	TERMINATOR, CABLE, 750 KCM

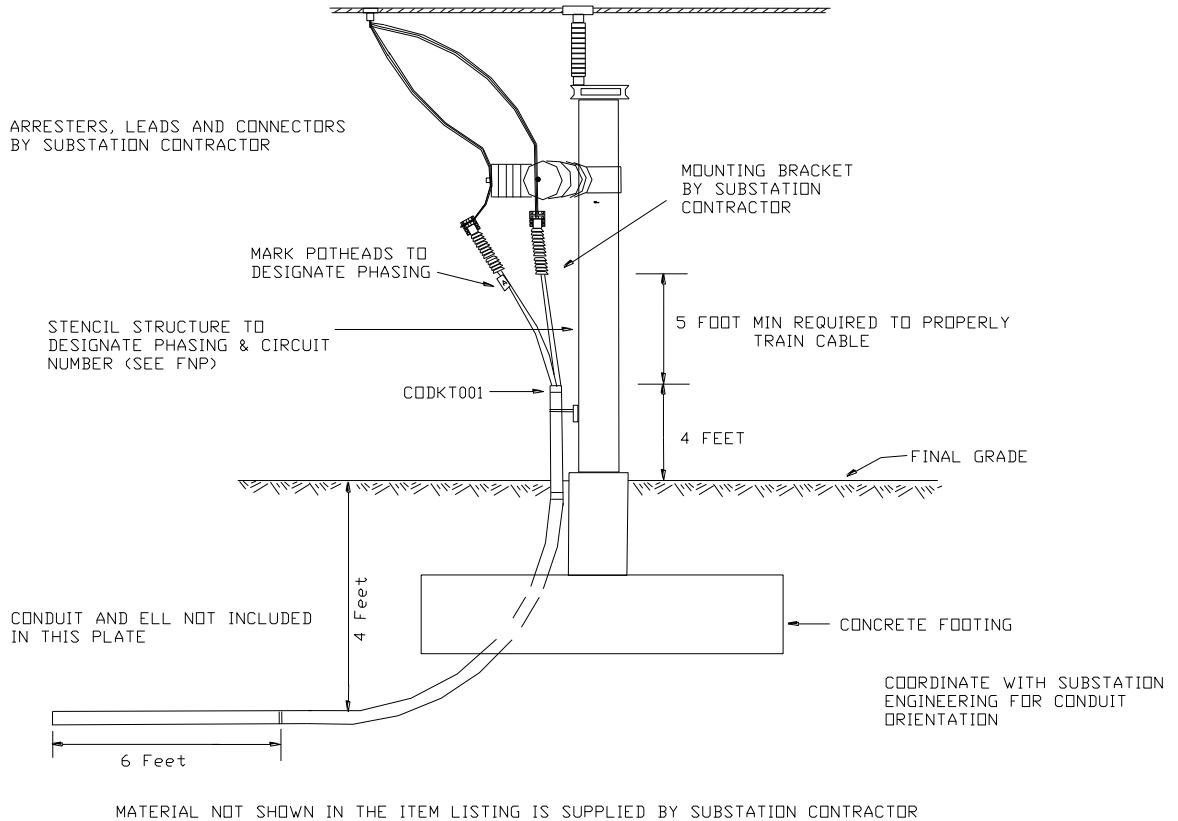
### UVT4C\*1000 / UVT4W\*1000

ANCST003	1	TAPCON MAXI SET SCREW ANCHOR, 1/4" X 1 3/4" (Concrete)
ANCST004	1	TAPCON MAXI SET SCREW ANCHORS, 1/4" X 2 1/4" (Wood)
BKTEM001	3	BRACKET, EQUIPMENT MOUNT, SINGLE
BKTEM002	3	BRACKET, EQUIPMENT MOUNT, ADAPTER PLATE
CAICL011	120	CABLE, 1000 KCM, 28 KV, SINGLE CONDUCTOR AL., POLY
CAIRH005	40	CABLE, 4/0, 19 STRAND, COPPER
TRMCA017	3	TERMINATOR, CABLE, 35-KV, 1000-KCM

## UVT5 (POLY CABLE)

## UVT5E (EPR CABLE)

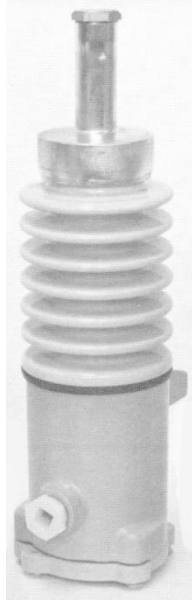
### RISER, SUBSTATION STRUCTURE THREE CABLES, FEEDER



See construction notes for options.

ITEM	QTY	DESCRIPTION
BOLMH008	15	BOLT, MACHINE, 1/2" X 2" HEX HEAD TIN PLATED BRONZE
CAICL011	25	CABLE, 1000 KCM, 28 KV, SINGLE CONDUCTOR AL., POLY
CAIRH005	15	CABLE, 4/0, 19 STRAND, COPPER
CNNCP026	3	STUD CONNECTOR, THREADED
CNNVG004	2	CONNECTOR, 2 SOL-2/0 / TAP 2SOL-2/0 VISE GRIP PARALLEL, BRONZE
CODKT001	1	KIT, RISER PLUG
GRICA001	3	GRIP, CABLE
INSTB002	6	INSULATOR, DOUBLE PLASTIC FOR TERMINATOR
LUGAR001	3	LUG, AERIAL
NUTPG500	15	NUT, 1/2"-13, HEX
SCWHG517	15	SCREW, 1/2"-13 X 2", HEX HEAD CAP
TRMCA017	3	TERMINATOR, CABLE, 35-KV, 1000-KCM

# UVT6\* EQUIPMENT TERMINATOR



**Porcelain Terminator**  
(TRM CA009) (Maintenance only)



**Rubber Terminator (Pre-Molded)**  
(TRMCA002)

15 kV MANHOLE DUCTBANK AERIAL LUG APPLICATION			
PLATE	ITEM	QTY	DESCRIPTION
UVT6*750R	TRMCA003	1	TERMINATOR; FLAT STRAP CU 750MCM 15KV
	ADPCA040	1	ADAPTER; CABLE GROUND, 4/0,28KV
	COBCO039	5	CONDUCTOR; BARE CU 500MCM 37 STR MHD

15 kV MANHOLE DUCTBANK 2-HOLE NEMA PAD APPLICATION			
PLATE	ITEM	QTY	DESCRIPTION
UVT6*750P	TRMCA021	1	TERMINATOR; FLAT STRAP CU 750MCM 15KV
	ADPCA040	1	ADAPTER; CABLE GROUND, 4/0,28KV
	COBCO039	5	CONDUCTOR; BARE CU 500MCM 37 STR MHD

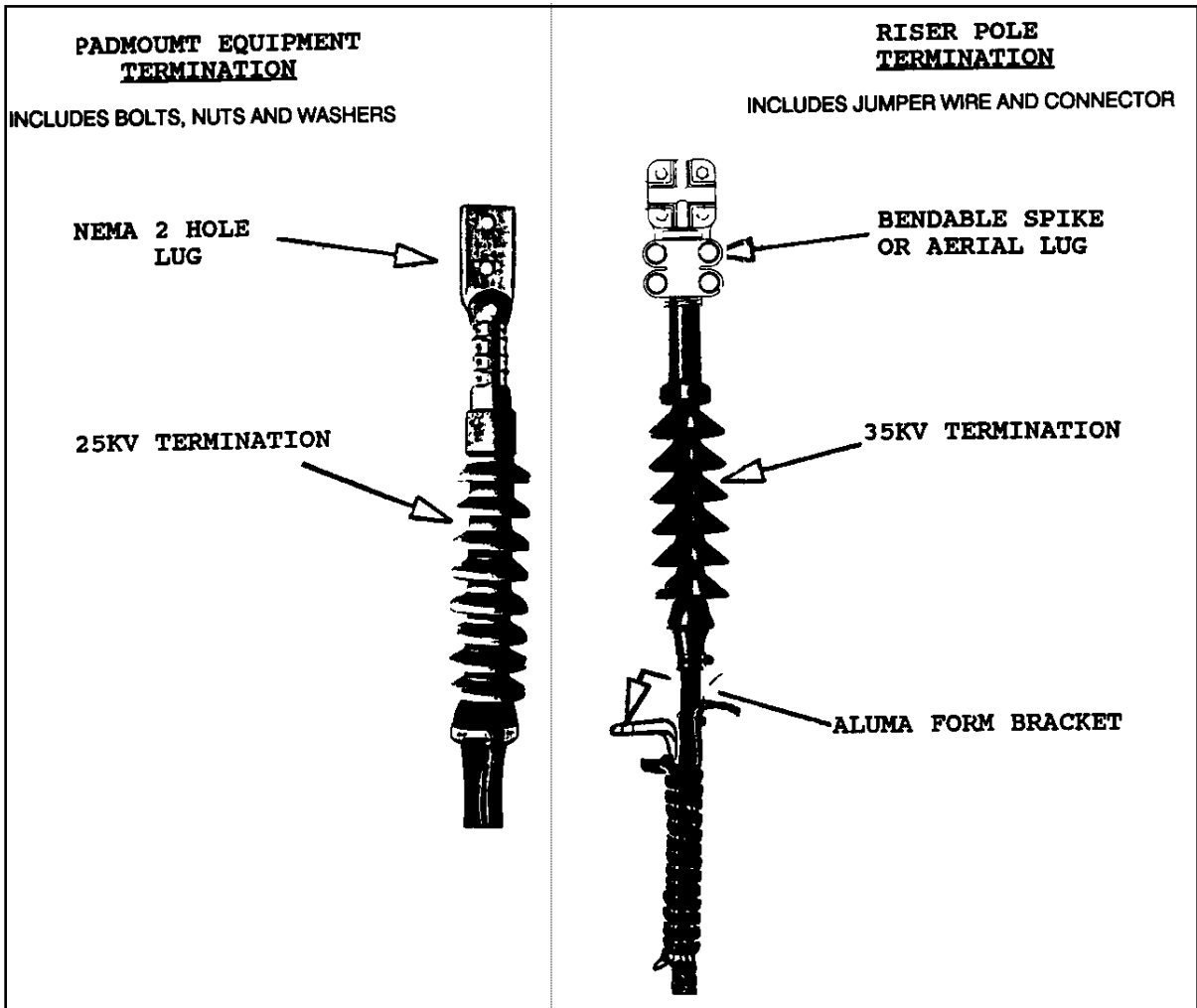
**NOTES:**

If porcelain terminators are required, remove the rubber terminators from the material and itemize in the porcelain terminator and bracket.

TRMCA009 – TERMINATOR, PORCELAIN, 15KV, 750KCM AL CABLE

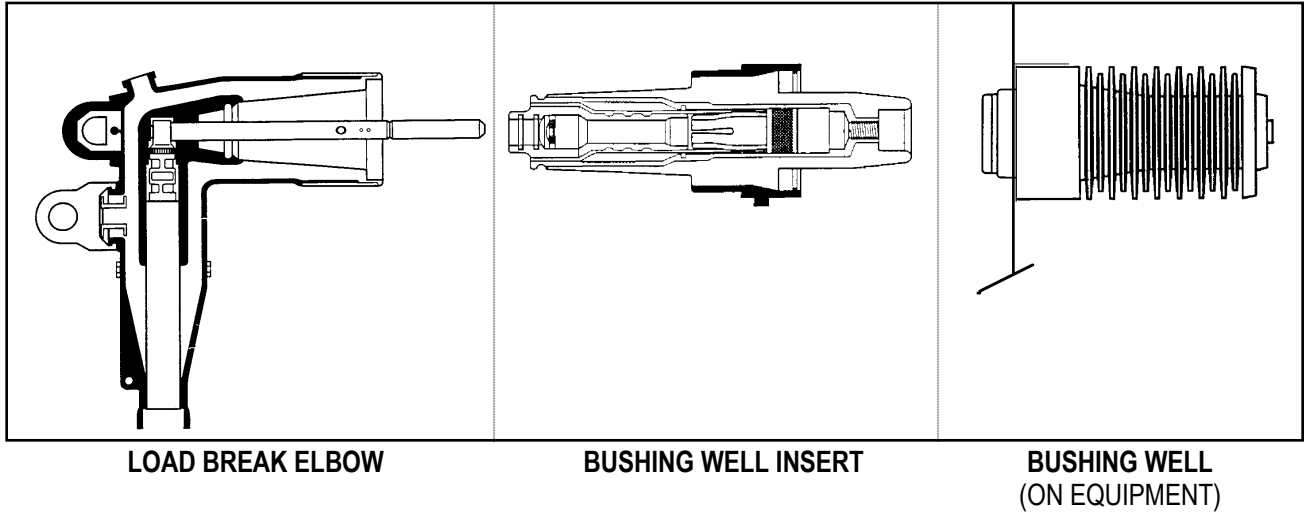
BKTCT001 – BRACKET, CABLE TERMINAL, SINGLE TERMINATOR

# UVT6\* EQUIPMENT AND RISER TERMINATIONS



APPLICATION	PLATE NAME	ITEM ID	QTY	DESCRIPTION
PADMOUNT	UVT6*1/0P	TRMCA018	1	TERMINATOR KIT, 1/0 25KV
	UVT6*350P	TRMCA019	1	TERMINATOR KIT, 350KCM 25KV
	UVT6*1000P	TRMCA020	1	TERMINATOR KIT, 1000KCM 25KV
RISER POLE	UVT6*1/0R	TRMCA015	1	TERMINATOR KIT, 1/0 35KV
	UVT6*350R	TRMCA016	1	TERMINATOR KIT, 350KCM 35KV
	UVT6*1000R	TRMCA017	1	TERMINATOR KIT, 1000KCM 35KV

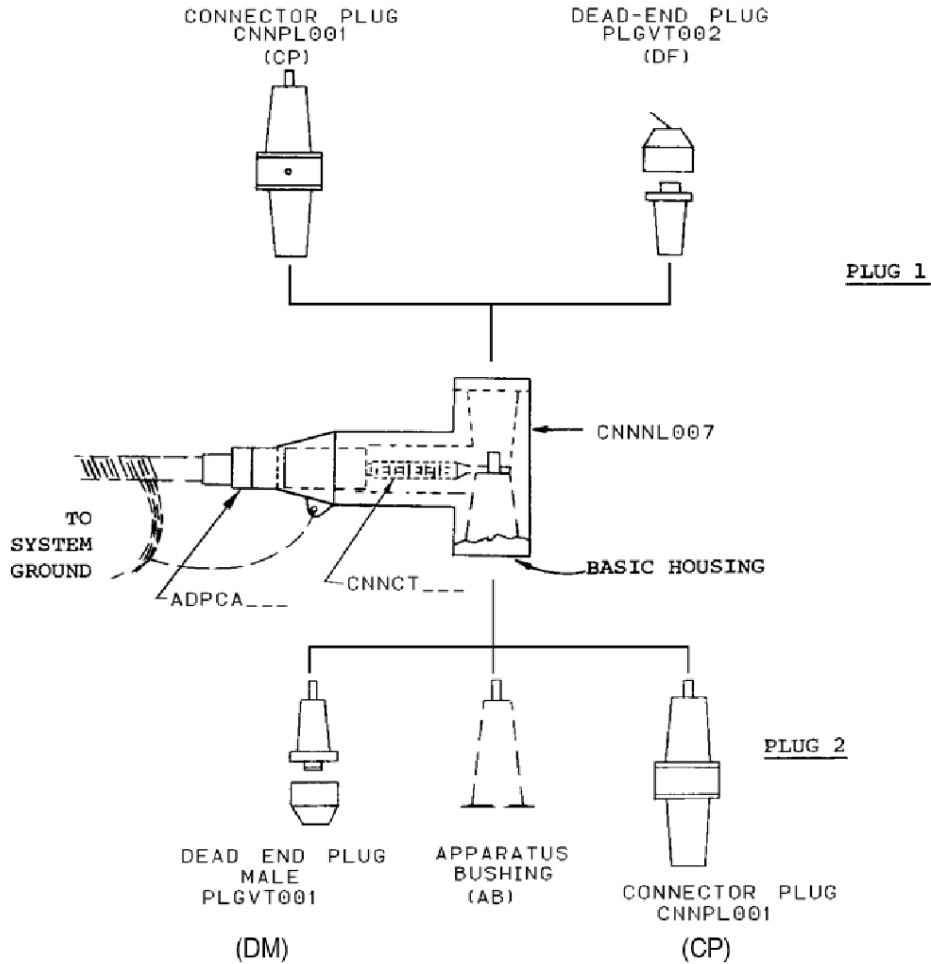
**UVT7\***  
**DEAD FRONT TERMINATION ELBOW TYPE`**  
**200 AMP LOAD BREAK**



**PLATE OPTIONS:**  
 UVT7\*2L – # 2 AWG CABLE  
 UVT7\*1/0L – 1/0 AWG CABLE

ITEM	QTY	DESCRIPTION
CNNLB001	1	CONNECTOR LOAD BREAK ELBOW, 1/0 AWG

## UVT8\* - - - UWT8\* - - - PRIMARY TEE ASSEMBLY



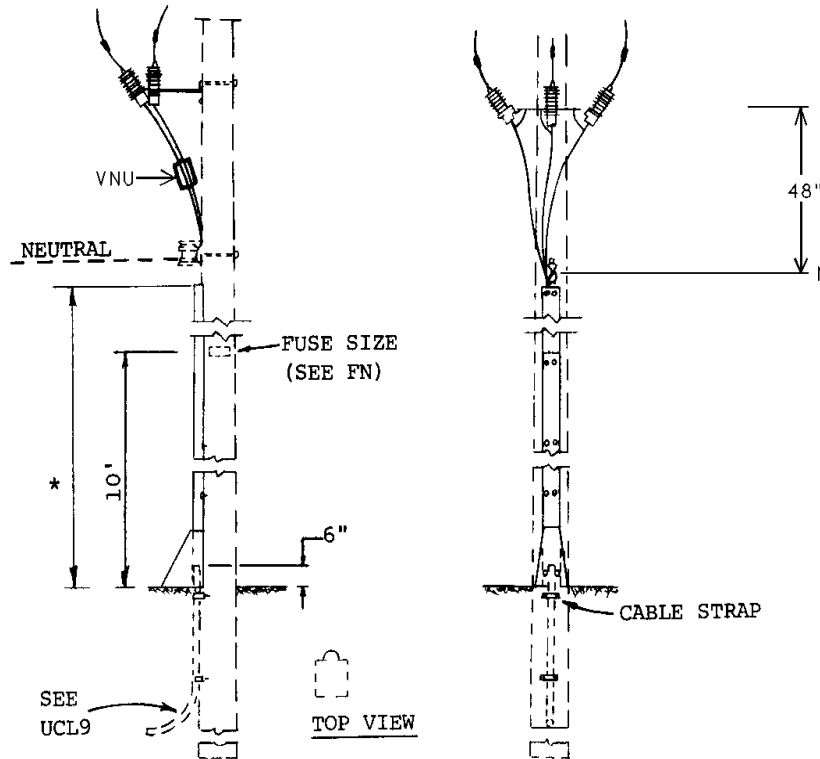
See construction notes for options.

ITEM	QTY	DESCRIPTION
ADPCA	1	ADAPTOR, CABLE GENERAL CODE
CNNCT	1	CONTACT, CONDUCTOR GENERAL CODE
CNNNL001	1	CONNECTOR, ELBOW 600A
CNNPL001	2	PLUG, CONNECTING 25 KV600 AMP PLUG #1 AND #2
PLGVT002	1	PLUG, DEADEND 25 KV W/ TEST CAP PLUG #1 Female
PLGVT001	1	PLUG, INSULATING 25 KV W/ TEST CAP PLUG #2 Male

## UVT10C \*1000 (Concrete Option)

## UVT10W \*1000 (Wood Option)

### RISER POLE, THREE CABLES 1000 KCM

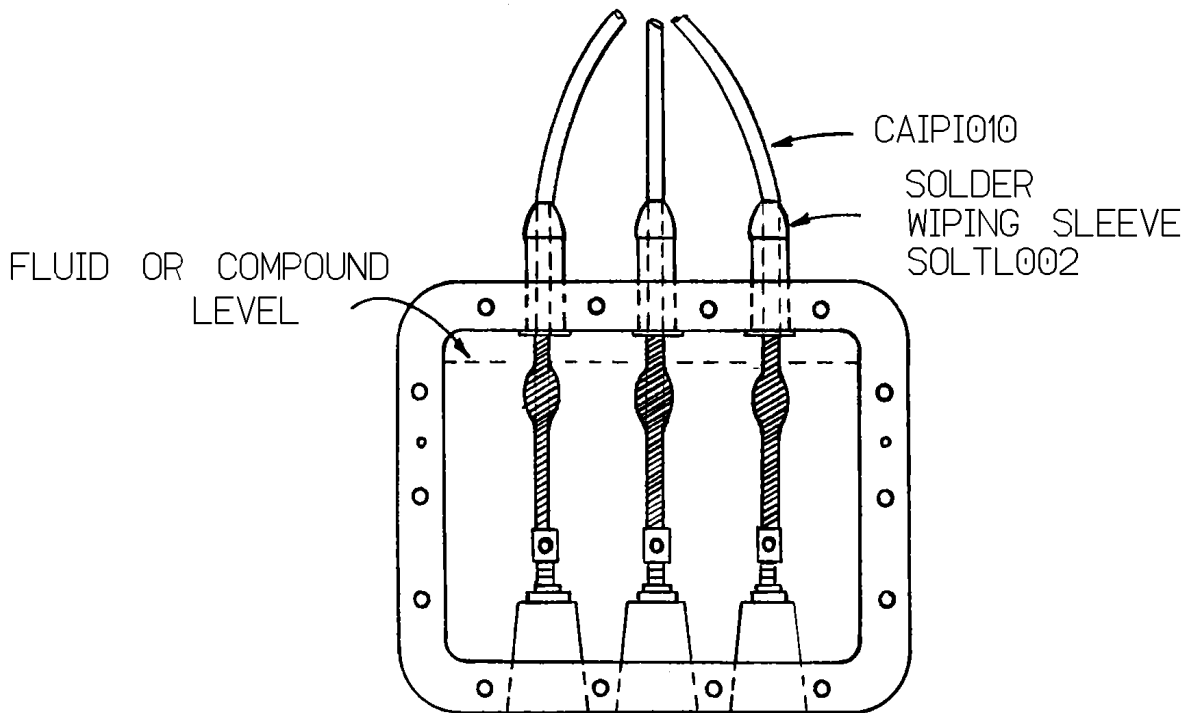


ITEM	QTY	DESCRIPTION
ANCST003	1	TAPCON MAXI SET SCREW ANCHOR, 1/4" X 1 3/4" (Concrete)
ANCST004	1	TAPCON MAXI SET SCREW ANCHORS, 1/4" X 2 1/4" (Wood)
BKTEM002	3	BRACKET, EQUIPMENT MOUNT, ADAPTER PLATE
BOLMS020	6	BOLT, MACHINE, 5/8" X 14", SQUARE HEAD GALVANIZED STEEL
CAICL011	120	CABLE, 1000 KCM, 28 KV, SINGLE CONDUCTOR AL., POLY
CAIRH005	40	CABLE, 4/0, 19 STRAND, COPPER
CNNCP001	3	CONNECTOR, #1, 6-4 MAIN, 6-4 TAP, PARALLEL TAP, ALUMINUM
CNNVG004	7	CONNECTOR, VISE TYPE 2 SOL-1/0
COBCO039	30	CONDUCTOR, 500 KCM, 37 STRAND, HARD DRAWN, BARE COPPER
CODKT001	1	KIT, RISER PLUG
GUACA003	3	GUARD, PLASTIC CABLE 6-INCH X 10 FT SCH. 40 PVC.
NUTSL003	6	LOCKNUT, SQ. M-F 5/8 INCH
STPST005	4	STRAP, CONDUIT 2- HOLE 2 INCH
STPST008	5	STRAP, CONDUIT 2-HOLE 4 INCH
TRMCA017	3	TERMINATOR, CABLE, 35-KV, 1000-KCM
WASRD002	50	WASHER, ROUND 1 DIA. FOR 3/8 INCH BOLT
WASSF002	6	WASHER, SQ. FLAT 2-1/4 SQ. X 3/16 INCH FOR 5/8 BOLT



# UWT10

## NETWORK TRANSFORMER PRIMARY TERMINATION



PRIMARY JUNCTION BOX

Manufacturer Drawings will be supplied for Spot Network Applications.

ITEM	QTY	DESCRIPTION
CAIPI010	75	CABLE, PILC 27KV 1/0 CU 1/C
ADCMI010	25	COMPOUND, INSULATING (PETROLATUM)
ADCSP013	1	PASTE, SOLDER
SOLT002	10	SOLDER, 40/60 1.5 LB. BAR
TAPEL003	12	TAP, FIBERMAT
TAPEL014	3	TAPE, TINNED COPPER CONDUCTOR SHIELDING

## UWPH\* POTHEAD TERMINATOR SINGLE CONDUCTOR

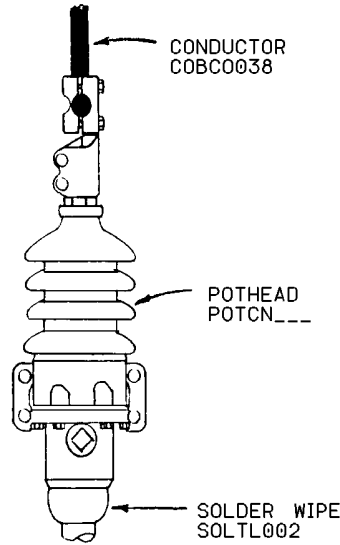
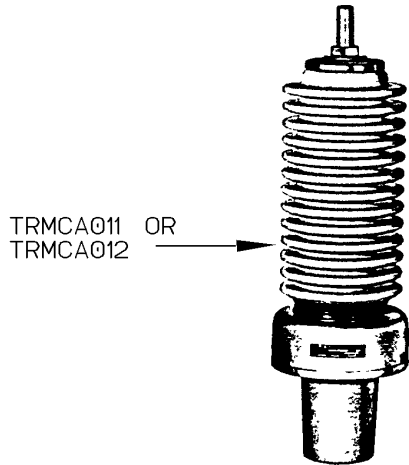


PLATE	ITEM	QTY	DESCRIPTION
UWPH*1/0	COBCO038	5	CONDUCTOR, BARE CU 500 MCM
	ADCMI010	1	COMPOUND, INSULATING 2 GAL
	INSTB001	1	INSULATOR, SINGLE PLASTIC
	POTCN_ _ _	1	POTHEAD, SINGLE CONDUCTOR 1/0, 15KV
	SOLTL002	10	SOLDER, 40/60 1.5 LB. BAR
	TAPEL003	2	TAPE, FIBERMAT
	TAPEL004	2	TAPE, ARC/ FIRE PROOFING
	TAPEL014	1	TAPE, CU SHIELDING BRAID TINNED
UWPH*400	COBCO038	5	CONDUCTOR, BARE CU 500 MCM
	ADCMI010	1	COMPOUND, INSULATING 2 GAL
	INSTB001	1	INSULATOR, SINGLE PLASTIC
	POTCN_ _ _	1	POTHEAD, SINGLE CONDUCTOR 500 MCM
	SOLTL002	10	SOLDER, 40/60 1.5 LB. BAR
	TAPEL003	2	TAPE, FIBERMAT
	TAPEL004	2	TAPE, ARC/ FIRE PROOFING
	TAPEL014	1	TAPE, CU SHIELDING BRAID TINNED
UWPH*750	COBCO038	5	CONDUCTOR, BARE CU 500 MCM
	ADCMI010	1	COMPOUND, INSULATING 2 GAL
	INSTB001	1	INSULATOR, SINGLE PLASTIC
	POTCN_ _ _	1	POTHEAD, SINGLE CONDUCTOR 750 MCM
	SOLTL002	10	SOLDER, 40/60 1.5 LB. BAR
	TAPEL003	2	TAPE, FIBERMAT
	TAPEL004	2	TAPE, ARC/ FIRE PROOFING
	TAPEL014	1	TAPE, CU SHIELDING BRAID TINNED

# UWPH\*<sub>—</sub>

## POTHEAD TERMINATOR, SINGLE CONDUCTOR, POLY



**Porcelain Terminator**



**Rubber Terminator**

PLATE	ITEM	QTY	DESCRIPTION
UWPH*400PR	COBCO035	5	CONDUCTOR, BARE CU 300 MCM STR SOFT DRAWN
	TRMCA001	1	TERMINATOR, CABLE 400 MCM CU 15 KV RUBBER
UWPH*750PR	COBCO039	5	CONDUCTOR, BARE CU 500 MCM STR HARD DRAWN
	TRMCA003	1	TERMINATOR, CABLE 750 MCM CU 15 KV RUBBER
UWPH*1000PR	COBCO039	5	CONDUCTOR, BARE CU 500 MCM STR HARD DRAWN
	TRMCA006	1	TERMINATOR, CABLE 1000 MCM CU 15 KV RUBBER
UWPH*400PP	BKTCT001	1	BRACKET, CABLE TERMINAL SINGLE TERMINATOR
	COBCO035	5	CONDUCTOR, BARE CU 300 MCM STR SOFT DRAWN
	TRMCA011	1	TERMINATOR, CABLE 400 MCM CU 15 KV PORCELAIN
UWPH*750PP	BKTCT001	1	BRACKET, CABLE TERMINAL SINGLE TERMINATOR
	COBCO039	5	CONDUCTOR, BARE CU 500 MCM STR HARD DRAWN
	TRMCA012	1	TERMINATOR, CABLE 750 MCM CU 15 KV PORCELAIN

# UWPH\*<sub>-</sub>

## POTHEAD TERMINATOR THREE CONDUCTOR

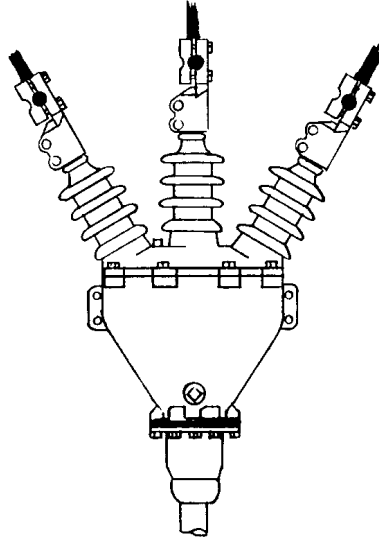


PLATE	ITEM	QTY	DESCRIPTION
UWPH*400-3	CLAIC001	1	CLAMP, MAPLE WOOD MOUNTING
	COBCO028	5	CONDUCTOR, BARE CU #4 SOL SOFT DRAWN
	ADCMIO10	2	COMPOUND, INSULATING 2 GAL
	POTCN_ _ _	1	POTHEAD, THREE CONDUCTOR 500 MCM 15 KV
	SOLTL002	15	SOLDER, 40/60 1.5 LB. BAR
	TAPEL003	6	TAPE, FIBERMAT
	TAPEL004	3	TAPE, ARC/ FIRE PROOFING
	TAPEL014	1	TAPE, CU SHIELDING BRAID TINNED
UWPH*750-3	CLAIC001	1	CLAMP, MAPLE WOOD MOUNTING
	COBCO028	5	CONDUCTOR, BARE CU #4 SOL SOFT DRAWN
	ADCMIO10	2	COMPOUND, INSULATING 2 GAL
	POTCN_ _ _	1	POTHEAD, THREE CONDUCTOR 750 MCM 15 KV
	SOLTL002	15	SOLDER, 40/60 1.5 LB. BAR
	TAPEL003	6	TAPE, FIBERMAT
	TAPEL004	3	TAPE, ARC/ FIRE PROOFING
	TAPEL014	1	TAPE, CU SHIELDING BRAID TINNED