

## WASTEWATER APPROVED MATERIALS

PLATE NUMBER	DESCRIPTION	PAGE
<b><u>AS-100</u></b>		
<b><u>PIPE</u></b>		
AS - 101 .....	NOT USED .....	XI. - 2
AS - 102 .....	PVC Pressure (DR18) Pipe .....	XI. - 3
AS - 103 .....	PVC Gravity Pipe (SDR26) .....	XI. - 4
AS - 104 .....	PVC Pipe (SCH 40 & SCH 80) .....	XI. - 5
<b><u>AS-200</u></b>		
<b><u>FITTINGS</u></b>		
AS - 201 .....	Ductile Iron Fittings .....	XI. - 6
AS - 202 .....	NOT USED .....	XI. - 7
AS - 203 .....	Stainless Steel Tapping Sleeve .....	XI. - 8
AS - 204 .....	PVC Solvent Weld Fitting .....	XI. - 9
AS - 205 .....	PVC Gravity Fitting (SDR26) .....	XI. - 10
AS - 206 .....	PVC Pressure Fitting .....	XI. - 11
<b><u>AS-300</u></b>		
<b><u>VALVES</u></b>		
AS - 301 .....	Valve Box and Cover .....	XI. - 12
AS - 302 .....	Gate Valve .....	XI. - 13
AS - 303 .....	Tapping Valve .....	XI. - 14
AS - 304 .....	Plug Valve .....	XI. - 15
AS - 305 .....	Check Valve .....	XI. - 16
AS - 306 .....	Air Valve .....	XI. - 17
<b><u>AS-400</u></b>		
<b><u>COUPLINGS, CLAMPS, RESTRAINERS</u></b>		
AS - 401 .....	Full Circle 2" Tapping Saddle for ARV .....	XI. - 18
AS - 402 .....	Restraints for PVC or D.I. Pipe .....	XI. - 19
AS - 403 .....	PVC/D.I. Bell Restraining Device .....	XI. - 20
AS - 404 .....	Accessory Pack .....	XI. - 21
AS - 405 .....	Mechanical Joint Fastener .....	XI. - 22
AS - 406 .....	Flange Adapter .....	XI. - 23
AS - 407 .....	Casing Spacer .....	XI. - 24
AS - 408 .....	Cast Coupling .....	XI. - 25
AS - 409 .....	Full Circle Repair Clamp .....	XI. - 26
<b><u>AS-500</u></b>		
<b><u>MANHOLES</u></b>		
AS - 501 .....	Manhole and Accessories .....	XI. - 27
AS - 502 .....	Protective Coating .....	XI. - 28
AS - 503 .....	Manhole Adjustment Ring .....	XI. - 29
AS - 504 .....	Manhole Frame and Cover .....	XI. - 30
AS - 505 .....	Manhole Monitors .....	XI. - 30
<b><u>AS-600</u></b>		
<b><u>PUMP STATIONS</u></b>		
AS - 601 .....	Aluminum Hatch (Frame and Cover) .....	XI. - 31
AS - 602 .....	Concrete Liner .....	XI. - 32
AS - 603 .....	Wastewater Pump .....	XI. - 33
AS - 604 .....	Electrical and Control Panel & VFD .....	XI. - 34
AS - 605 .....	Emergency Pump Engine .....	XI. - 35
<b><u>AS-700</u></b>		
<b><u>LIFT STATIONS</u></b>		
AS - 701 .....	VACUUM SYSTEM .....	XI. - 36

AS-101  
NOT USED

# AS-102

## PVC PRESSURE (DR18) PIPE



**DESCRIPTION:** DR18 PVC Pipe. See Chapter IV. 2. - Section 428 & Chapter IV. 3. - Section 429 of the current JEA Standards for specifications and requirements.

SIZE	MANUFACTURER	MODEL #
4-inch – 60	Diamond Plastics	N/A
4-inch – 48	JM Eagle	N/A
4-inch – 30	National Pipe & Plastics	N/A
4-inch – 36	North American Pipe Co. (NAPCO)	N/A
4-inch – 48	Ipex	N/A
4-inch – 48	National Pipe & Plastics	N/A
4-inch – 12	Sanderson Pipe Corporation	N/A

**DESCRIPTION:** DR16 Pipe. See Chapter III. 1. - Section 350 of the current JEA Standards for specifications and requirements. See Chapter VI. 1. - Section 701 for Reclaimed Water specifications and requirements.

SIZE	MANUFACTURER	MODEL #
16-inch	Diamond Plastics	N/A
16-inch	JM Eagle	N/A
16-inch	National Pipe & Plastics/National PVC)	N/A
16-inch	North American Pipe Co. (NAPCO)	N/A
16-inch	Ipex	N/A

# AS-103 PVC GRAVITY PIPE

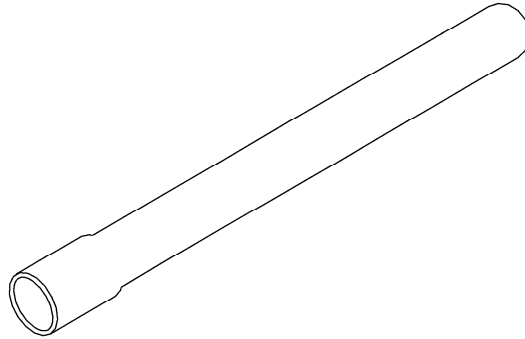


**DESCRIPTION:** PVC SDR 26: See Chapter IV. 2. - Section 428 of the current JEA Standards for specifications and requirements.

SIZE	MANUFACTURER	MODEL #
6-inch & larger	Charlotte Pipe	N/A
6-inch & larger	Diamond Plastics Corp	N/A
6-inch & larger	JM Eagle	N/A
6-inch & larger	National Pipe & Plastics	N/A
6-inch & larger	North American Pipe Co. (NAPCO)	N/A
6-inch & larger	Sanderson Pipe Co.	N/A
6-inch & larger	HAWK Plastics Corporation	SDR-26

# AS-104

PVC PIPE (SCH 40 & SCH 80)

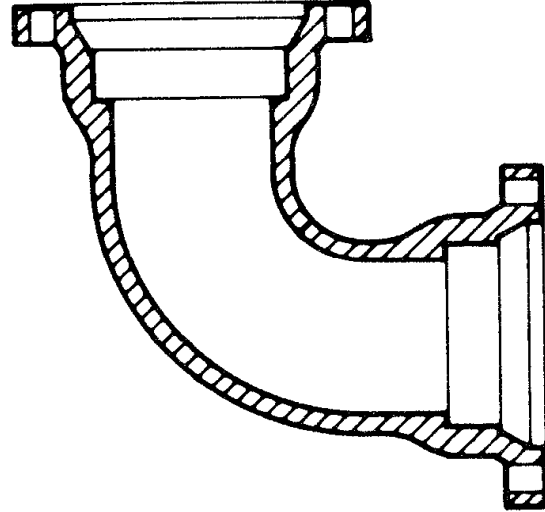


**DESCRIPTION:** PVC SCH 40 or 80 Pipe. See Chapter IV. 3. - Section 429 of the current JEA Standards for specifications and requirements.

SIZE	MANUFACTURER	MODEL #
3-inch & smaller	JM Eagle	
3-inch & smaller	National Pipe & Plastics	
3-inch & smaller	North American Pipe Co. (NAPCO)	
3-inch & smaller	Sanderson Pipe Company	
3-inch & smaller	Accord Industries	
3-inch & smaller	Charlotte Pipe & Foundry	

# AS-201

## DUCTILE IRON FITTINGS



**Note:** Mechanical joint, 90-degree bend & fittings, shown as example only (for additional joints, see specifications).

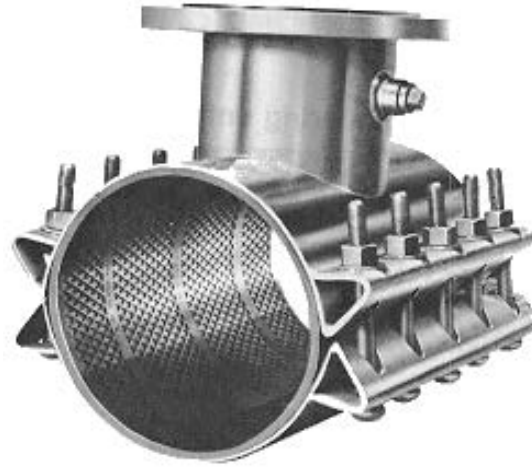
**DESCRIPTION:** Ductile Iron Fitting, epoxy-lined. See Sections 428 & Chapter IV. 3. - Section 429 of the current JEA Standards for specifications and requirements.

SIZE	MANUFACTURER	MODEL #
3-inch & larger	Tyler Union	N/A
3-inch & larger	Star Pipe Products	N/A
3-inch & larger	Sigma Corporation (Russell Pipe)	N/A
3-inch & larger	SIP Industries	N/A
3-inch & larger	US Pipe	N/A

AS-202  
NOT USED

# AS-203

## STAINLESS STEEL TAPPING SLEEVE



**Note:** Must be all stainless steel, no dissimilar metals allowed.

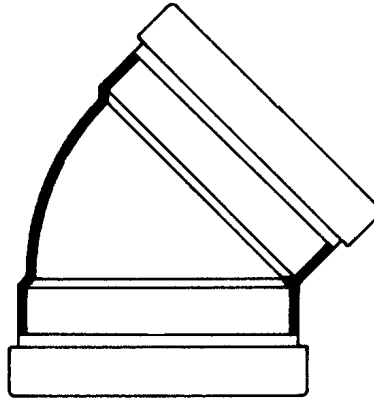
**DESCRIPTION:** Stainless Steel Tapping Sleeve. See Section 430 of the current JEA Standards for specifications and requirements.

SIZE	MANUFACTURER	MODEL #
4-inch & larger	Cascade Waterworks Mfg.	CST-EX
4-inch & larger	Dresser Inc./GE	630
4-inch & larger	Ford Meter Box Company	FAST Series, FTSS
4-inch & larger	JCM Industries, Inc.	432, 439, 452, (taps 14-inch and larger)
4-inch & larger	Power Seal	3490, 3490MJ (8-inch and smaller)
4-inch & larger	Romac Industries, Inc.	SST
4-inch & larger	Smith-Blair	N/A
4-inch & larger	Mueller	H304



# AS-204

## PVC SOLVENT WELD FITTING

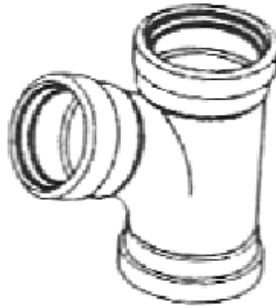


**DESCRIPTION:** Schedule 40 and 80 Solvent Weld Fittings. See Chapter IV. 3. - Section 429 of the current JEA Standards for specifications and requirements.

SIZE	MANUFACTURER	MODEL #
3-inch & smaller	Ipex	
3-inch & smaller	LASCO Fittings, Inc.	
3-inch & smaller	Nibco	
3-inch & smaller	Georg Fischer Sloane (GF Piping Systems)	
3-inch & smaller	Spears	
3-inch & smaller	Charlotte Pipe & Foundry	

# AS-205

## PVC GRAVITY FITTING (SDR26)



**DESCRIPTION:** PVC Gravity Fitting (SDR26). See Chapter IV. 2. - Section 428 of the current JEA Standards for specifications and requirements.

SIZE	MANUFACTURER	MODEL #
6-inch & larger	GPK Products, Inc	
6-inch & larger	Harco Inc.	
6-inch & larger	Multi Fittings	
6-inch & larger	Tigre-ADS USA	
6-inch & larger	Plastic Trends (Royal Building Projects)	

**AS-206**  
**PVC PRESSURE FITTING**

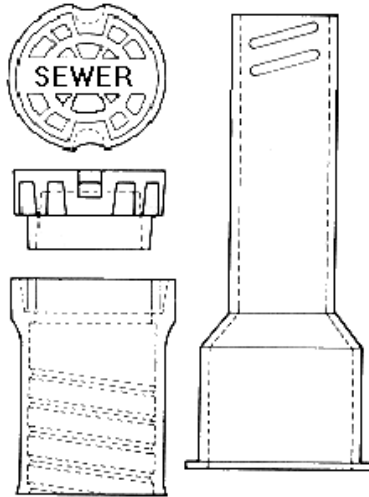


**DESCRIPTION:** For 12 inch and smaller (Pressure Fittings) - PVC C900, DR18 Injection Molded, Push On Joint Fittings. See Chapter IV. 3. - Section 429 of the current JEA Standards for specifications and requirements. For 14 inch and larger (pressure Fittings) - PVC C905 Fabricated Fittings (no Tee Fitting). See Chapter IV. 3. - Section 429 of the current JEA Standards for specifications and requirements.

SIZE	MANUFACTURER	MODEL #
4-inch – 12-inch	Harco Inc.	N/A
4-inch – 12-inch	Multi-Fittings	N/A
4-inch & larger	IPEX	N/A
14-inch & larger	Galaxy Plastics	N/A
14-inch & larger	Plastic Trends (Royal Building Projects)	N/A

# AS-301

## VALVE BOX AND COVER



**DESCRIPTION:** Valve Box and Cover. See Section 430 of the current JEA Standards for specifications and requirements.

SIZE	MANUFACTURER	MODEL #
N/A	Tyler Union	461-S, Heavy Duty
N/A	Sigma (Russell Pipe)	VB-26, Heavy Duty
N/A	U.S. Foundry	7500, Heavy Duty
N/A	East Jordan Iron Works	461S, Heavy Duty
N/A	Star Pipe Products	VB 461 SHD, Heavy Duty
N/A	SIP	6004/6004CL35, Heavy Duty

# AS-302

## GATE VALVE



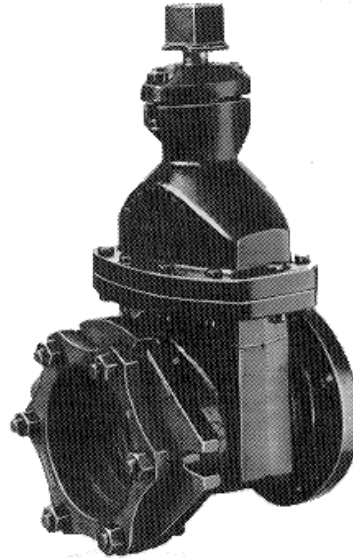
**Note:** All valves shall open by turning to the left.  
 Mechanical joint shown as example only. See specifications for additional joints.

**DESCRIPTION:** Resilient Seat Gate Valve. See Section 430 of the current JEA Standards for specifications and requirements.

SIZE	MANUFACTURER	M.Jt. MODEL #
3-inch & larger	AVK (S/S Stem Only)	Series 45
3-inch & larger	American Flow Control (American Cast Iron Pipe Company)	2500 Series
3-inch & larger	Clow Valve	F-6100
3-inch & larger	Kennedy Valve Company	8571
3-inch & larger	M & H Valve Company	4067
3-inch & larger	Mueller	A2360, 2361
3-inch & larger	U.S. Pipe	250
3-inch & larger	American – RD (Kennedy Valve)	D 100
3-inch to 12-inch	United Water Products	2010

# AS-303

## TAPPING VALVE



**Note:** All valves shall open by turning to the left.

**DESCRIPTION:** Tapping Valve. See Section 430 of the current JEA Standards for specifications and requirements.

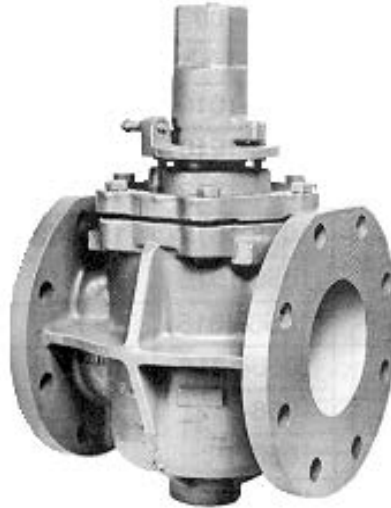
SIZE	MANUFACTURER	MODEL #
3-inch & larger	American Flow Control (American Cast Iron Pipe Company)	N/A
3-inch & larger	AVK (S/S Stem Only)	25/30081
3-inch & larger	Clow Valve	F-6114
3-inch & larger	Kennedy Valve Company	8950
3-inch & larger	M & H Valve	4751
3-inch & larger	Mueller	T-2360, 2361
3-inch & larger	U.S. Pipe	5860
3-inch & larger	Mueller – Aqua Grip	A-2361-76
3-inch & larger	American – RD (Kennedy Valve)	N/A

**DESCRIPTION:** Insert-A-Valve: See Section 430 of the current JEA Standards for specifications and requirements.

SIZE	MANUFACTURER	MODEL #
4-inch thru 8-inch	ROMAC	310 Sleeve w/361 valve
10" thru 12"	ROMAC	311 Sleeve w/358 valve
14-inch & larger	Submittal and JEA Approval	Special Case

# AS-304

## PLUG VALVE



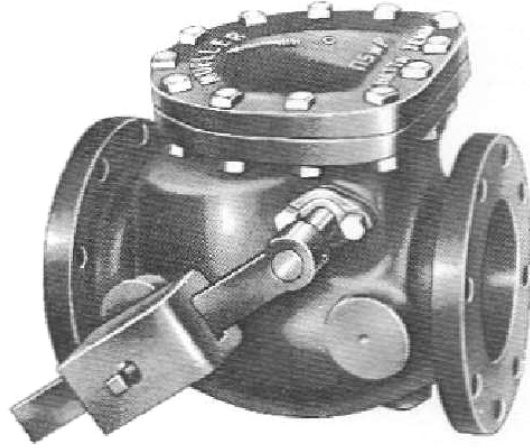
**Note:** Flange joint shown as example only. (For additional joints, see specifications.)

**DESCRIPTION:** Plug Valve. See Section 430 of the current JEA Standards for specifications and requirements. Actuator may be required to achieve 150 P.S.I. drip tight shut-off in both directions. Contact valve manufacturer for requirements.

SIZE	MANUFACTURER	MODEL #
3-inch & larger	Clow Valve /Kennedy	N/A
3-inch & larger	Dezurik	N/A
3-inch & larger	Dezurik	N/A
3-inch & larger	TYCO/Keystone	Eccentric Valve
3-inch & larger	Milliken Valve or Mueller Water Products	600 N (MJ)
3-inch & larger	Milliken Valve/Mueller Water Products	601 N (FLG)
3-inch & larger	Henry Pratt Co	N/A
3-inch & larger	Val-Matic	N/A
3-inch & larger	Golden Anderson	N/A

# AS-305

## CHECK VALVE



**DESCRIPTION:** Check Valve. See Section 430 of the current JEA Standards for specifications and requirements.

SIZE	MANUFACTURER	MODEL #
3-inch & larger	American Flow Control (American Cast Iron Pipe Company)	50SC-LW
3-inch & larger	Clow Valve/Kennedy	106LW
3-inch & larger	M & H Valve	159-02
3-inch & larger	Mueller/CNNE(Charles Finch)/Milliken	8001
3-inch & larger	NIBCO	F938-31-BL&W
3-inch & larger	Matco-Norca	
3-inch & larger	Golden Anderson	



**AS-306**  
AIR VALVE



**DESCRIPTION:** Air Valve. See Section 430 of the current JEA Standards for specifications and requirements. It should be noted that, per the specification, valves may require back wash feature, stainless steel body or other requirements.

SIZE	MANUFACTURER	MODEL #
	<b>AIR RELEASE VALVE</b>	
Varies	A.R.I. USA	D-025-ST
	<b>AIR COMBINATION VALVE (RELEASE &amp; VACUUM)</b>	
Varies	Vent-O-Mat	Series RGX II
Varies	A.R.I. USA	D-025-ST/D-26 NS
Varies	H-TEC USA	Series 989/986

# AS-401 FULL CIRCLE 2" TAPPING SADDLE FOR ARVS



**DESCRIPTION:** Full Circle 2" Tapping Sleeve 316 Stainless Steel for ARVs. See Chapter V. 3. - Section 430 and Chapter III-Section 351 of the current JEA Standards for specifications and requirements.

SIZE	MANUFACTURER	MODEL #
3" to 48"	Ford Meter Box, Co	FAST-Q or FTSS-Q series
4" to 24"	JCM Industries, Inc.	6433 Series

# AS-402

## RESTRAINTS FOR PVC OR D.I. PIPE

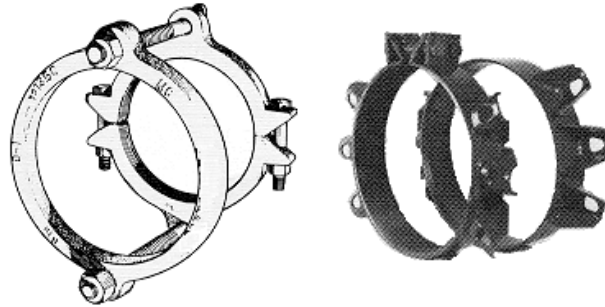


**DESCRIPTION:** Restraints for PVC or D.I. Pipe. See Section 429 of the current JEA Standards for specifications and requirements.

SIZE	MANUFACTURER	MODEL #
3-inch & larger	EBAA Iron	1100 (Ductile Pipe Only)
3-inch & larger	EBAA Iron	2000 PV, 2000 SV (PVC Pipe Only)
3-inch & larger	The Ford Meter Box Co, Inc (Uniflange)	1400 (Ductile Pipe Only)
3-inch & larger	The Ford Meter Box Co, Inc (Uniflange)	1500 (PVC Pipe Only)
3-inch to 10-inch	Sigma (Russell Pipe)	One-Lok SLCE – (PVC pipe only)
12-inch & larger	Sigma (Russell Pipe)	One-Lok SLCE – (PVC pipe only)
3-inch & larger	Sigma (Russell Pipe)	One-Lok SLDE – (Ductile Pipe Only)
3-inch & larger	Star Pipe	Stargrip 3000 (Ductile Pipe Only)
3-inch & larger	Star Pipe	Stargrip 4000 (PVC Pipe)
3-inch & larger	Tyler Union	TUFGrip (Ductile-TLD/PVC-TLP Pipe)

# AS-403

## PVC OR D.I. BELL RESTRAINING DEVICE



**DESCRIPTION:** Bell Restraining Devices. See Section 429 of the current JEA Standards for specifications and requirements.

SIZE	MANUFACTURER	MODEL #
3-inch & larger	EBAA Iron	1500 Series (PVC/Ductile)
3-inch & larger	EBAA Iron	1600 Series (PVC/Ductile)
3-inch & larger	EBAA Iron	2500 Series (PVC Only)
3-inch & larger	EBAA Iron	2800 Series (PVC Only)
3-inch & larger	The Ford Meter Box Co, Inc (Uniflange)	1300 Series (PVC/Ductile)
3-inch & larger	The Ford Meter Box Co, Inc (Uniflange)	1350 Series (PVC Only)
3-inch & larger	The Ford Meter Box Co, Inc (Uniflange)	1360 Series (PVC Only)
3-inch & larger	The Ford Meter Box Co, Inc (Uniflange)	1390 Series (PVC/Ductile)
3-inch & larger	JCM Industries	610 Series (PVC/Ductile)
3-inch & larger	JCM Industries	621 Series (PVC/Ductile)
3-inch & larger	Romac	Grip Ring (PVC/Ductile)
3-inch & larger	Star Pipe Products, Inc.	ALLGRIP 3600 (PVC/Ductile)
3-inch & larger	Star Pipe Products, Inc.	1000, 1100 (PVC/Ductile), 1200 (PVC Only) Series
3-inch & larger	Star Pipe Products, Inc.	Stargrip 3100 (Ductile Only), 4100 (PVC Only)
3-inch & larger	Tyler Union	3000 (PVC Only)
3-inch & larger	Sigma (Russell Pipe)	PWP(PVC/Ductile)
3-inch & larger	SIP	PTPVC (PVC Only)

# AS-404

## ACCESSORY PACK

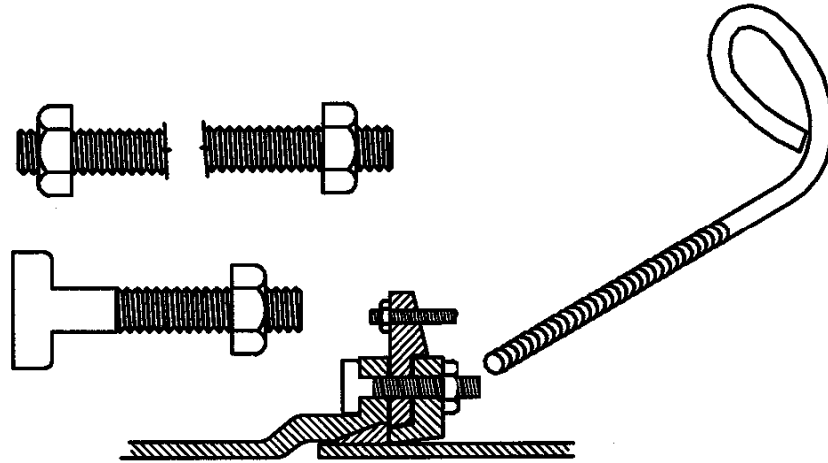


**DESCRIPTION:** Accessory Pack. See Chapter IV. 3. - Section 429 of the current JEA Standards for specifications and requirements.

SIZE	MANUFACTURER	MODEL #
3-inch & larger	American Cast Iron Pipe Company	N/A
3-inch & larger	Clow Valve	N/A
3-inch & larger	Tyler Union	N/A
3-inch & larger	U.S. Pipe and Foundry	N/A
3-inch & larger	Sigma	N/A
3-inch & larger	Star Pipe Products	N/A
3-inch & larger	SIP	N/A

# AS-405

## MECHANICAL JOINT FASTENER

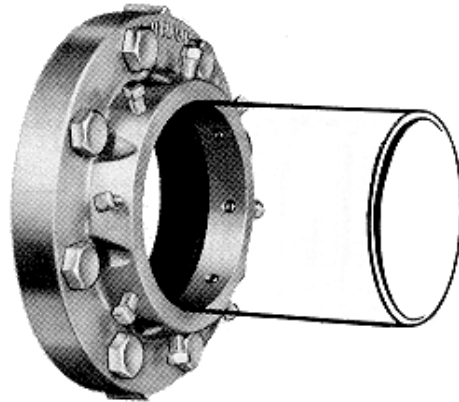


**DESCRIPTION:** Mechanical Joint Fasteners. See Chapter IV. 3. - Section 429 of the current JEA Standards for specifications and requirements.

SIZE	MANUFACTURER	MODEL #
	Tie Lugs	
	See Specifications	
	All Thread Rods	
	See Specifications	
	Eye Bolts	
	See Specifications	
	Nuts & Washers	
	See Specifications	

# AS-406

## FLANGE ADAPTER

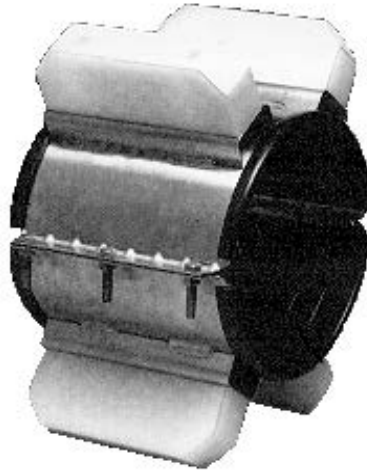


**DESCRIPTION:** Flange Adapters. See Section 429 of the current JEA Standards for specifications and requirements. The use of flange adapters shall be limited to areas specifically approved by JEA on a project-by-project basis.

SIZE	MANUFACTURER	MODEL #
3-inch & larger	EBAA	Series 1000 DIP only
3-inch & larger	EBAA Iron	Series 2100 PVC or DI
3-inch & larger	The Ford Meter Box Co, Inc (Uniflange)	200 C & S 400 C & S 900 C & S
3-inch & larger	The Ford Meter Box Co, Inc (Uniflange)	UFA-200 DIP UFA-900 PVC
3-inch & larger	Star Pipe	Series 200G Series 400G

# AS-407

## CASING SPACER



**DESCRIPTION:** Casing Spacers. See Sections 428 & Chapter IV. 3. - Section 429 of the current JEA Standards for specifications and requirements.

SIZE	MANUFACTURER	MODEL #
Varies	Cascade Waterworks Mfg.	CCS
Varies	Pipeline Seal & Insulator, Co (EnPro Industries, Inc.)	S/S Type
Varies	Pipeline Seal & Insulator, Co (EnPro Industries, Inc.)	PVC Coated Steel
Varies	Pipeline Seal & Insulator, Co (EnPro Industries, Inc.)	Ranger II
Varies	Raci Spacers	High Density Polyethylene
Varies	BWM Company	N/A
Varies	Advanced Products & Systems	SSI, SI, CI
Varies	CCI Pipeline Systems	CSC, CSS



# AS-408

## PIPE COUPLING



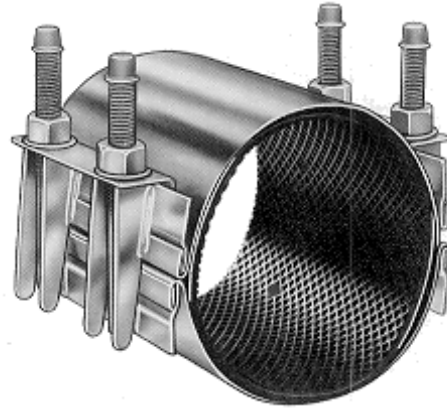
**Note:** O.D. Ranges may vary. Refer to manufacturer's specifications.

**DESCRIPTION:** Cast Coupling. See Chapter IV. 2. - Section 428 of the current JEA Standards for specifications and requirements, including coating requirements.

SIZE	MANUFACTURER	MODEL #
4-inch & larger	Cascade Waterworks Mfg.	CDC, CRC, CRFA
4-inch & larger	Dressler Inc./GE	153
4-inch & larger	Ford Meter Box	FC2A, FC2N
4-inch & larger	JCM	210
4-inch & larger	PowerSeal	3501, 3501B, 3506, 3521
4-inch & larger	Romac	501
4-inch & larger	Smith-Blair	441
4-inch & larger	TPS, Hymax	2000
4-inch & larger	Mueller	MAXIFIT
4-inch & larger	Mueller Co	N/A
4-inch & larger	FERNCO	1000

# AS-409

## FULL CIRCLE REPAIR CLAMP

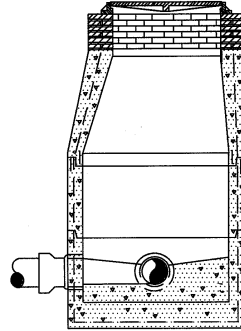


**DESCRIPTION:** Full Circle Repair Clamp (stainless steel). See Chapter IV. 3. - Section 429 of the current JEA Standards for specifications and requirements.

SIZE	MANUFACTURER	MODEL #
All Sizes	Ford Meter Box, Co	"F" or "FS" Series
All Sizes	Dresser Inc./GE	360
All Sizes	JCM Industries	101 or 131
All Sizes	JCM Industries	102 or 132
All Sizes	Powerseal	3121 or 3122
All Sizes	Romac	"SS" or "CL" Series
All Sizes	Smith Blair	Series 226 or 256
All Sizes	Smith Blair	Series 228 or 263
All Sizes	TPS, EZ-MAX	Model 4000
All Sizes	Mueller Co.	500, 510, 540, 550

# AS-501

## MANHOLE AND ACCESSORIES

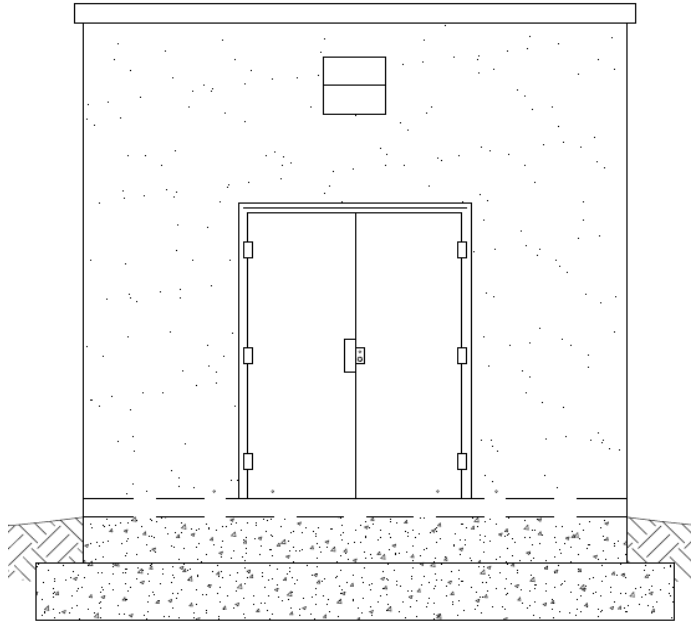


**DESCRIPTION:** Manhole and Accessories. See Section 427 of the current JEA Standards for specifications and requirements.

SIZE	MANUFACTURER	MODEL #
<b>Manhole and Accessories</b>		
<b>Precast Concrete</b>		
Varies	Standard Precast	N/A
Varies	Del Zotto Precast	N/A
<b>Poly-Concreter</b>		
Varies	Armorock	N/A
<b>Manhole Joint Sealant</b>		
1-inch	Con-Seal	CS102, 202
1-1/2 inch	Ram-Nek/Henry Company	Ram-Nek
	NPC Bidco /Trelleborg	C-56
1-inch	Evergrip	990
<b>Exterior Joint Sealant Tape</b>		
0.1 inch X 8 inch W (minimum)	Con Seal	CS-300, CS-212
9 inch W (minimum)	Rub-R-Nek/ Henry Company	N/A
18 inch W (minimum)	Wrapid Seal (CCI Pipeline systems)	N/A
<b>Manhole General Coating</b>		
12 mils thick	Con-Seal	CS-55
12 mils thick	PRO-Tec Coatings, Inc.	EW1-Aquapoxy

# AS-502

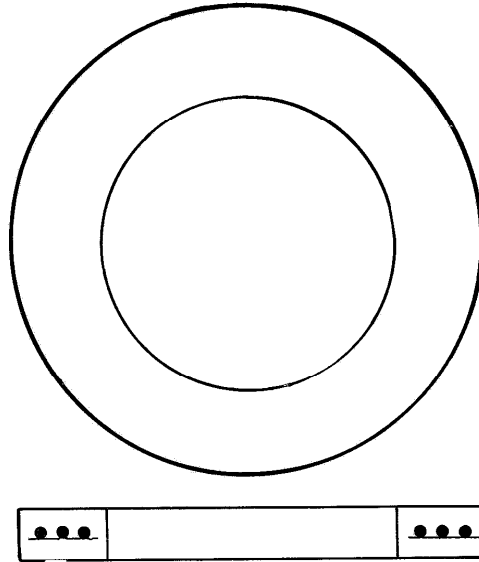
## PROTECTIVE COATING



**DESCRIPTION:** Water Wastewater Protective Coating. See Section 447 of the current JEA Standards for specifications and requirements.

COMPANY NAME	CONTACTS	PHONE	EMAIL
The Sherwin-Williams Company	Josh Hinson	904-591-3137	<a href="mailto:swrep4538@sherwin.com">swrep4538@sherwin.com</a>
Corrocoat Usa, Inc.	Josh Tankersley	904-472-0768	<a href="mailto:Josht@corrocoat.com">Josht@corrocoat.com</a>
PPG Protective & Marine Coatings	Jim Hartley	904-626-6382	<a href="mailto:jim.hartley@ppg.com">jim.hartley@ppg.com</a>

**AS-503**  
**MANHOLE ADJUSTMENT RING**

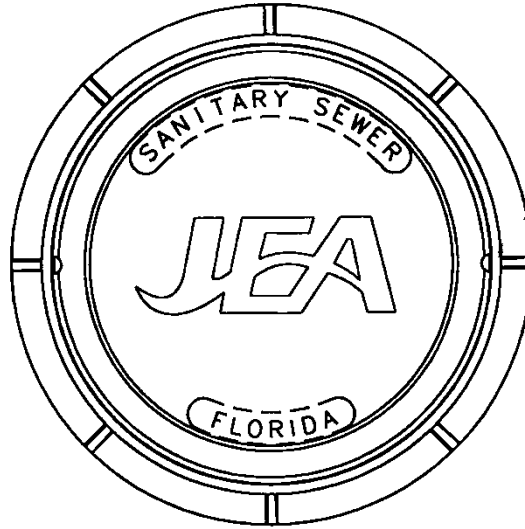


**DESCRIPTION:** Manhole (adjustment rings) Collars. See Section 427 of the current JEA Standards for specifications and requirements.

SIZE	MANUFACTURER	MODEL #
Varies	Standard Precast	
Varies	Lad Tech, HDPE Rings	
Varies	EJ, Steel Adjustment Ring	
Varies	EJ, infra-riser	

# AS-504

## MANHOLE FRAME AND COVER



**DESCRIPTION:** Manhole Frame and Cover (with rubber "T" Gaskets). See Section 427 of the current JEA Standards for specifications and requirements.

SIZE	MANUFACTURER	MODEL #
32-inch	U.S. Foundry	USF-655
32-inch	East Jordan Iron Works	N/A

AS-505

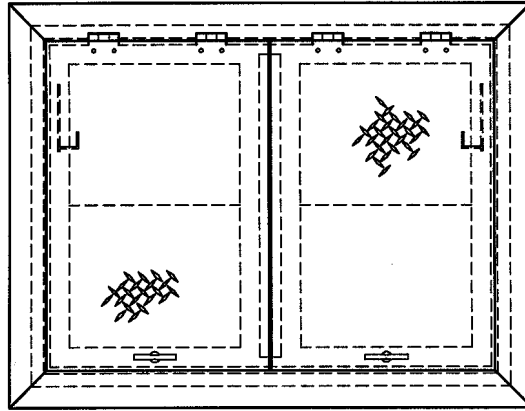
Manhole Monitors

Continuous Monitors – ADS

Discrete Monitors – Mission Scada

# AS-601

## ALUMINUM HATCH (FRAME AND COVER)

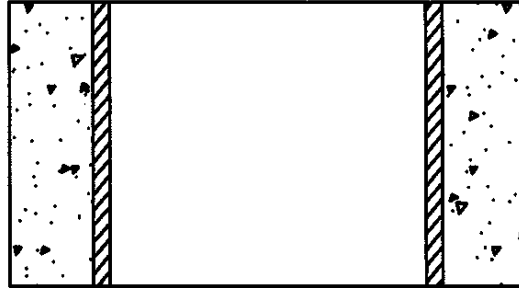


**DESCRIPTION:** Aluminum Hatch Frame and Cover. See Section 433 of the current JEA Standard for specifications and requirements.

SIZE	MANUFACTURER	MODEL #
Varies	U.S. Foundry	
Varies	Halliday Products, Inc.	

# AS-602

## CONCRETE LINER



**DESCRIPTION:** Concrete Liner. See Section 446 of the current JEA Standards for specifications and requirements.

MANUFACTURER	MODEL #
Associated Fiberglass Enterprises	Hard Shell Liner (***)
Concrete Conservation, Inc.	Spectra-Shield (*)
L. F. Manufacturing, Inc.	Hard Shell Liner (***)
LarFarge/ Kerneos Inc. Calcium Aluminates	SEWPERCOAT (**)
GML Coatings, LLC.	Green Monster (*)

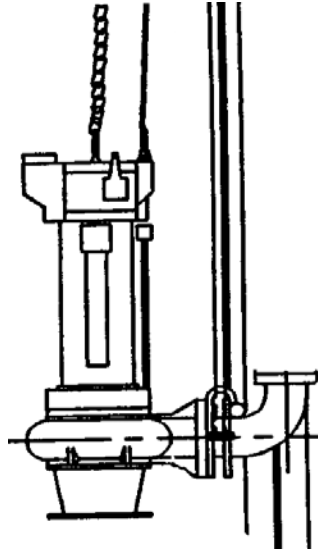
**NOTES:**

- (\*) Denotes Polyurethane, HDPE or Fiberglass Liner Material
- (\*\*) Denotes Cementitious Liner Material
- (\*\*\*) Denotes Hard Shell Liner Material



# AS-603

## WASTEWATER PUMP

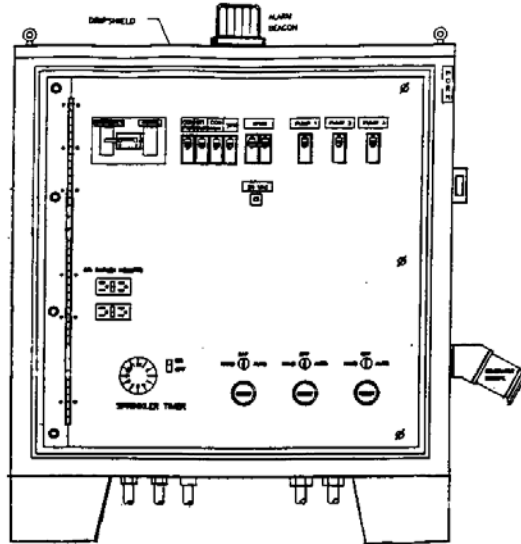


**DESCRIPTION:** Wastewater Pump. See Section 433 of the current JEA Standards for specifications and requirements. It is intended that JEA approved material list shall be considered acceptable, unless new technology exist or if it is in the best interest of JEA to revise the approved material list.

<b>SUBMERSIBLE WASTEWATER 1800 RPM PUMPS</b>	
<b>Manufacturer/Representative</b>	<b>Telephone Number</b>
Flygt rep David Williams	(239) 825-8384
WILO-EMU, rep by PSI Technologies	(904) 588-2132
KSB, rep by Custom Pump	(904) 858-9605
Hydromatic, rep by Barneys Pump (40hp and less)	(904) 260-0669
<b>SUBMERSIBLE WASTEWATER 3600 RPM PUMPS</b>	
Flygt rep David Williams	(239) 825-8384
KSB, rep by Custom Pump	(904) 858-9605
<b>DRY-PIT WASTEWATER PUMPS</b>	
WILO-EMU, rep by PSI Technologies	(904) 588-2132
Flow Serve (MSX), rep by Carter & Ver Planck	(813) 287-0709
KSB, rep by Custom Pump	(904) 858-9605
Flygt, rep David Williams	(239) 825 8384
<b>FLOODED SUCTION SOLIDS HANDLING PUMPS</b>	
Fairbanks Morse, rep by Sanders Company, Inc.	(772)-220-2900
Worthington, rep by Carter & Ver Planck	(813) 287-0709
Allis Chalmers, rep David Williams	(239) 825-8384

# AS-604

## ELECTRICAL, CONTROL PANEL, VFD & SCADA



**DESCRIPTION:** Pump Station Electrical and Control Panel including (RTU). See Section 433 of the current JEA Standards for specifications and requirements.

COMPANY NAME	CONTACTS	PHONE	EMAIL
ECS	Ralph Sinn	(904)367-5000	<a href="mailto:ralph@ecs31.com">ralph@ecs31.com</a>
EG Controls, Inc.	Sonia McKenzie	(904)292-0110	<a href="mailto:smcenizie@egcontrols.com">smcenizie@egcontrols.com</a>
Suncoast	Mark Owens	(904)693-3318	<a href="mailto:mowens@suncoastcontrols.biz">mowens@suncoastcontrols.biz</a>
Sun State System, Inc.	Tony Rhodes	(904)269-2544	<a href="mailto:trhodes@sunstatesystems.com">trhodes@sunstatesystems.com</a>
Infamation Technologies Group, (ITG) *	James Ruiz	(904)425-4760	<a href="mailto:jruiz@itgtec.com">jruiz@itgtec.com</a>
DSI Innovations LLC.*	Sean Patterson	(336)893.8385	<a href="mailto:spatterson@dsiinnovations.com">spatterson@dsiinnovations.com</a>

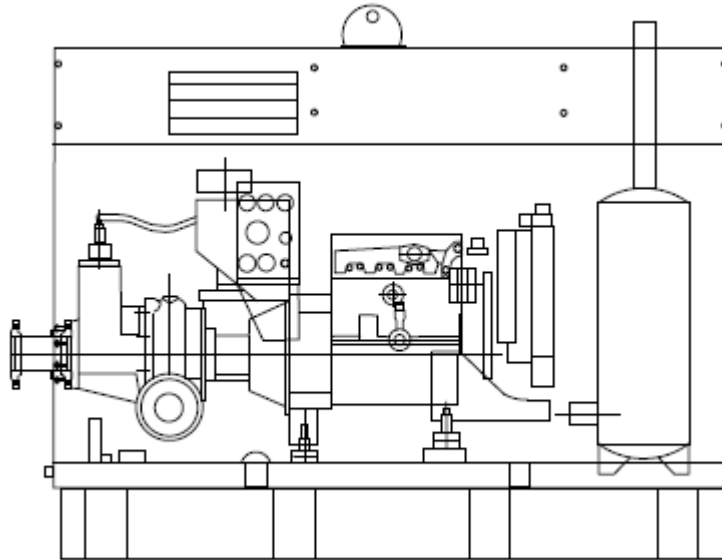
\* System integrators

**DESCRIPTION:** Variable Frequency Drives (VFD). See section 433 of the current JEA standard for specifications and requirements. It is intended that this JEA approved material will be considered acceptable, unless new technology exist or if it is in the best interest of JEA to revise the approved material list.

VFD	SCADA
Cutler Hammer/Eaton	SIEMENS

# AS-605

## Emergency Pump Engine



**DESCRIPTION:** Emergency Pump Engines, See Section 470 of the current JEA Standards for specifications and requirements.

PUMP MANUFACTURER	CONTACTS	PHONE	EMAIL
Thompson Pump	Brian Lee	(386) 212-6999	<a href="mailto:blee@thompsonpump.com">blee@thompsonpump.com</a>
Holland Pump	Eugene Lant	(321) 297-6372	<a href="mailto:eugene@hollandpump.com">eugene@hollandpump.com</a>
Godwin Pump	Chris Ocampo	(904) 338-4099	<a href="mailto:christopher.ocampo@xylem.com">christopher.ocampo@xylem.com</a>

ENGINE MANUFACTURER	4" PUMP/SET	6" PUMP/SET	8" PUMP/SET	10" PUMP/SET	12" PUMP/SET
John Deere	4024T281-SP1	4045T280-SP2	4045T285-SP2	6068H285-SP2	6090H485-SP1
Caterpillar (C18 Tier3)*	2.2T-SP	C4.4T-SP	C4.4E-TA-SP	C6.65E-SP	C9-SP
Mitsubishi	S4Q2-VS/14A	N/A	N/A	N/A	N/A

Alternative engine manufacturer with approval by JEA

\*Optional for greater than 12" pump/set

# AS-701

## Lift Station Vacuum Sewer System



**DESCRIPTION:** Vacuum system for wastewater lift stations.

VACUUM MANUFACTURER	CONTACTS	PHONE	EMAIL
Flovac	Michael Pringle	(386) 319-0350	MPringle@flovac.com