

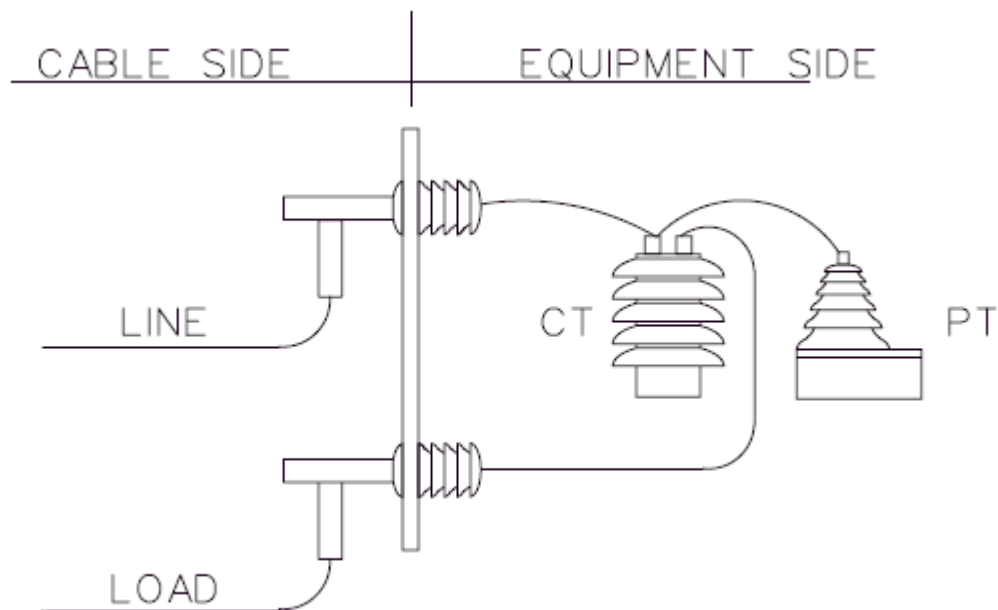
# PRIMARY METERING ENCLOSURE

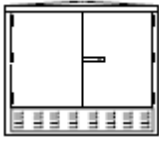
## I. CONSTRUCTION NOTES

- I.1. Metering transformer enclosure furnished and installed by JEA.
- I.2. Line cables furnished and installed by JEA.
- I.3. Meter enclosure furnished by JEA, installed by customer.
- I.4. Load cables and terminators furnished and installed by customer.
- I.5. 1" conduit for potential wires furnished and installed by customer.
- I.6. Metering pit furnished and installed by customer.
- I.7. For metering equipment, notify Meter Services.
- I.8. All connections to JEA equipment shall be made by JEA.

### NOTE:

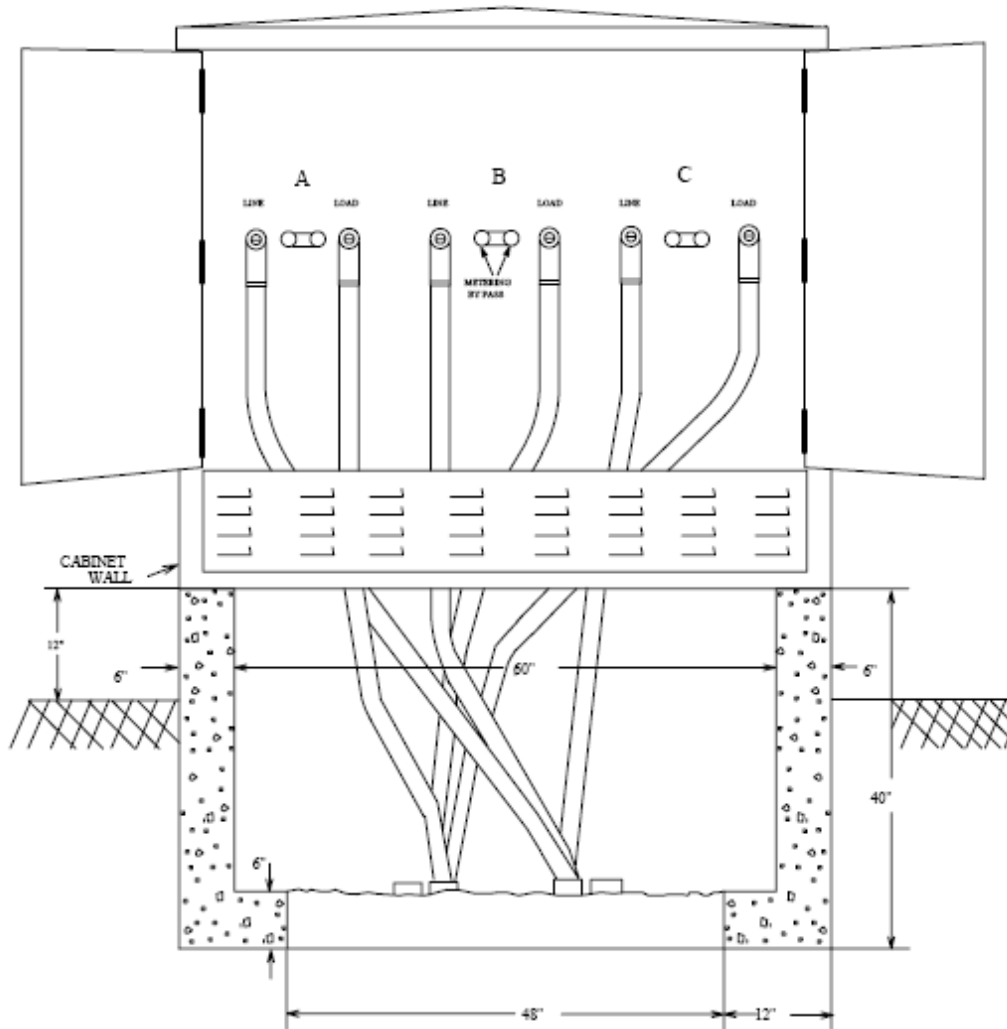
All new primary metering enclosure installations shall be wired per the diagram below. If an existing (old) enclosure needs maintenance where an outage is required, it shall be rewired at that time.



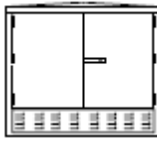


# UM1-200 & UM1-600 PADMOUNT PRIMARY METERING ENCLOSURE

BACK

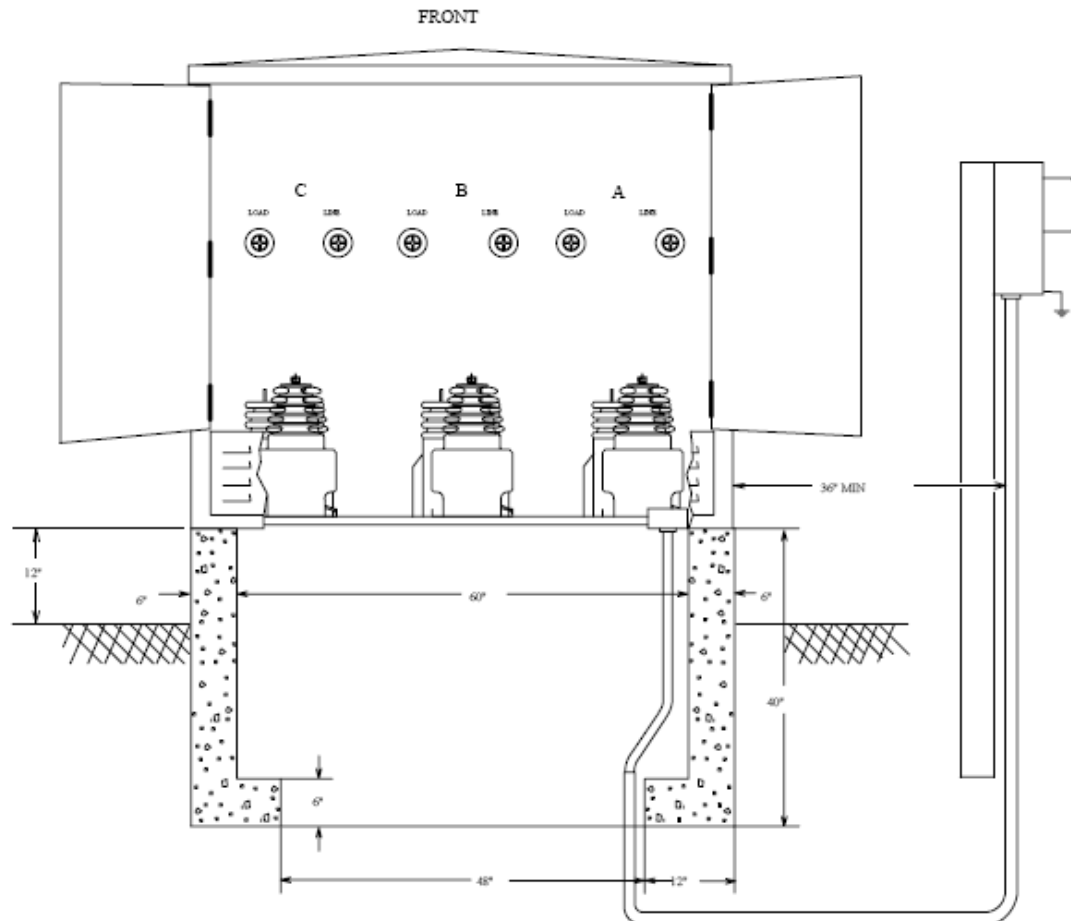


REAR VIEW



# UM1-200 & UM1-600

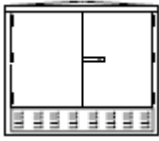
## PADMOUNT PRIMARY METERING ENCLOSURE



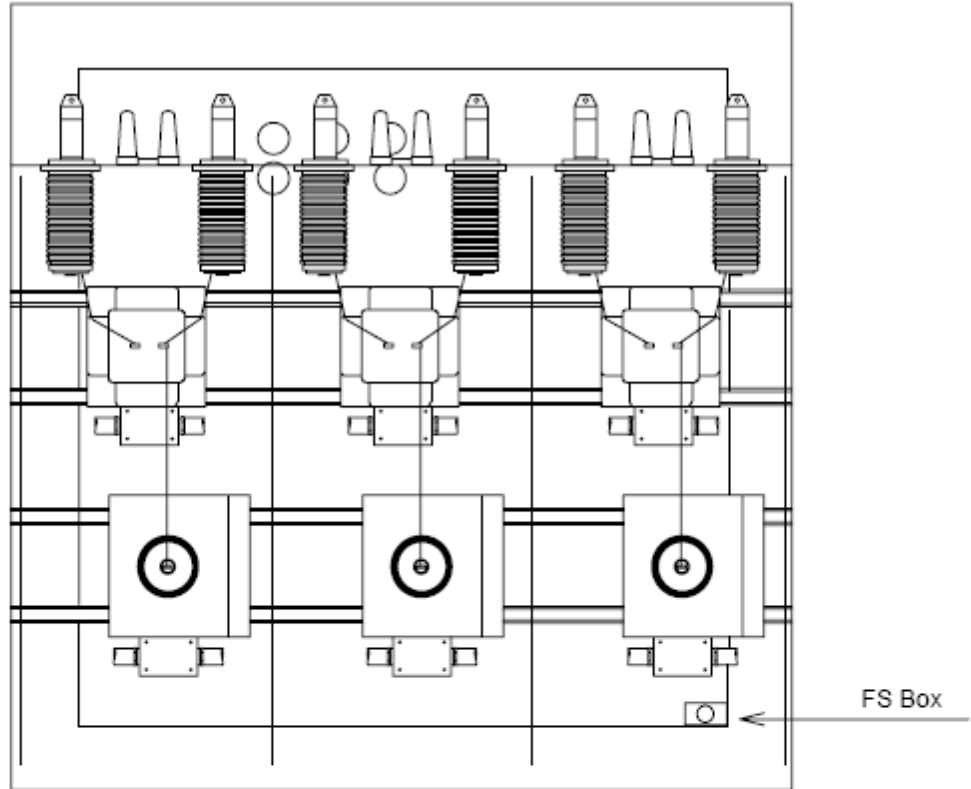
FRONT VIEW

**NOTES:**

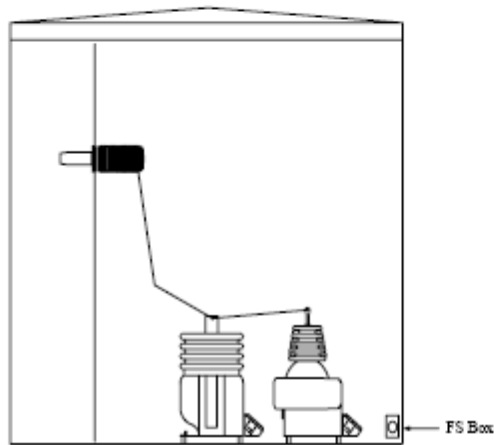
1. The meter enclosure must be grounded with a #4 bare solid copper conductor.
2. Raceways are 1 inch rigid conduit.



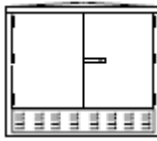
# UM1-200 & UM1-600 PADMOUNT PRIMARY METERING ENCLOSURE



TOP VIEW

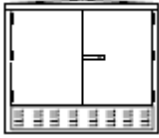


SIDE VIEW



## UM1-200 & UM1-600 PADMOUNT PRIMARY METERING ENCLOSURE

ITEM	QTY	DESCRIPTION
ANCSD001	4	ANCHOR, SELF - DRILLING CONCRETE
BOLMS001	18	BOLT, MACHINE, SQUARE HEAD
BOLMH001	4	BOLT, MACHINE, HEAD
BUS_ _ _ _ _	6	BUSHING, WELL GENERAL CODE (200/600AMP)
BUSWI_ _ _	3	BUSHING PLUG INSERT GENERAL CODE (200AMP)
COBCO028	15 Ft	CONDUCTOR, BARE COPPER, #6
COBCO033	6 Ft	CONDUCTOR, BARE COPPER, #4/0
CNNLB001	3	CONNECTOR, ELBOW
CNNVG006	3	CONNECTOR, VICE TYPE
CNNTL013	9	CONNECTOR, ALUMINUM TERMINAL
CNNTE039	2	CONNECTOR, TERMINAL
ENCOD008	1	ENCLOSURE, OUTDOOR, PRIMARY MEETING W/ FRAME
LOCPA002	2	PADLOCK, ALL BRASS
COEST002	6	STRESS RELIEF CONE
TAPEL010	2	TAPE, SELF FUSING SILICON RUBBER ELECTRICAL
WASRD003	4	WASHER, ROUND
METCT_ _	3	CURRENT TRANSFORMER GENERAL CODE
METVT_ _	3	POTENTIAL TRANSFORMER GENERAL CODE
METEN002	1	THREE (3) GANG METER CAN WITH ADAPTERS
METEN001	1	SINGLE (1) GANG METER CAN
CXANO002	2	CONCRETE POST
----N/A----	1	CONCRETE 40LB BAG
CODPC016	30 Ft	CONDUIT, 1" SCHEDULE 40 PVC
CODEP024	2	90 DEGREE SWEEP, 1" SCHEDULE 40 PVC
CODCO025	8	COUPLING, 1" SCHEDULE 40 PVC
----N/A-----	2	CONNECTOR, FEMALE TO MALE SCHEDULE 40 PVC
NUTSL006	2	LOCK NUTS, 1" CONNECTORS
METFS001	1	FS BOX (4 OPENINGS)
RAICA001	24	KENDORF RAIL CONNECTORS
SCWHQ415	24	3/8" X 1-1/2" BOLTS
WASRD002	24	3/8" WASHERS
CNNVG002	6	CONNECTORS, #7 VISE GRIP KEARNEYS
COBCO028	60	COPPER WIRE, SOFT DRAWN #4 SOLID
CODPC017	10	NON-METALIC 1" CONDUIT (1" CARFLEX LIQUID TIGHT)
CNNME002	12	STRAIGHT 1" SEAL-TIGHT CONNECTORS
CNNME004	1	90 DEGREE ELBOW 1" SEAL-TIGHT CONNECTORS
----N/A-----	3	PLUGS, 1" BLANK WORK BOX
COIBW004	40 Ft	RED, #12 SOLID AWG WIRE
COIBW009	40	BROWM, #12 SOLID AWG WIRE
COIBW006	40	PURPLE, #12 SOLID AWG WIRE
COIBW005	40	WHITE, #12 SOLID AWG WIRE
COIBW010	40	YELLOW, #12 SOLID AWG WIRE
COIBW007	40	ORANGE, #12 SOLID AWG WIRE
COIBW008	40	BLUE, #12 SOLID AWG WIRE
COIBW003	40	BLACK, #12 SOLID AWG WIRE
ADCMI002	1	CEMENT, PVC



# UM1-200 & UM1-600

## PADMOUNT PRIMARY METERING ENCLOSURE

**BUSHINGS 200/600**  
(SEE PLATE EXAMPLE BELOW)

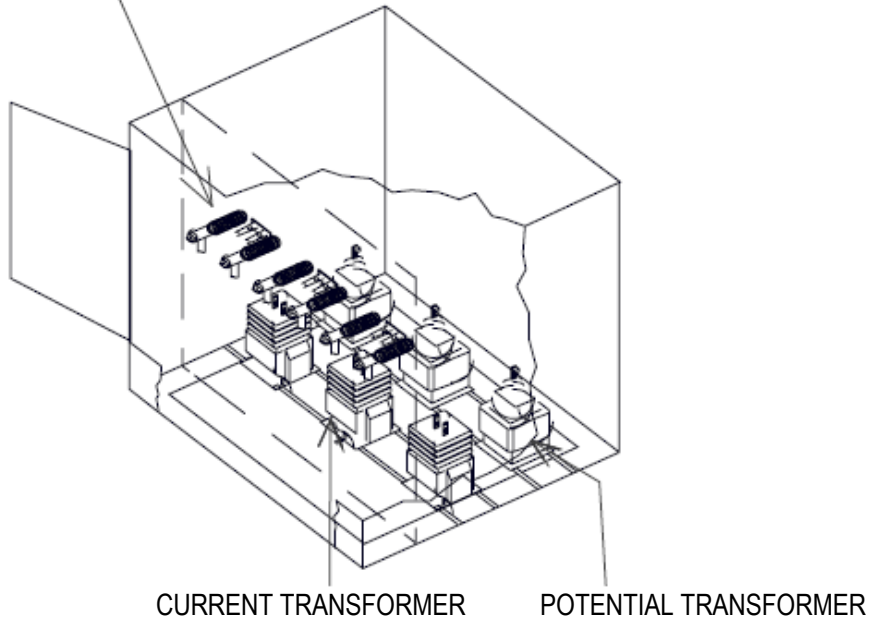


PLATE EXAMPLES:	
<b>UM1-200</b>	This is for 200 Amp systems.
	Additional plates UVT7*1/0L (6). (See page TE-10 of Standards Book.)
<b>UM1-600</b>	This is for 600 Amp systems.
	Additional plates UVT8*350-DF-AB (6). (See pages TE-1 & TE-11 of Standards Book.)